

Features

- Globular glass shades extend from rods with flared metal detail in elegant transitional designs suited for any room
- Coordinates with other products in the Bellera collection
- Requires three bulbs with candelabra (E12) base; type T bulb recommended (sold separately)
- Suitable for damp locations, per UL 1598
- Includes installation hardware

Material

- Premium metal and glass construction
- Manufactured with quality materials and complemented with a meticulous finishing process
- Durable finishes engineered to last and designed to coordinate with KOHLER faucet finishes



Codes/Standards

UL 1598
CSA C22.2 No. 250.0

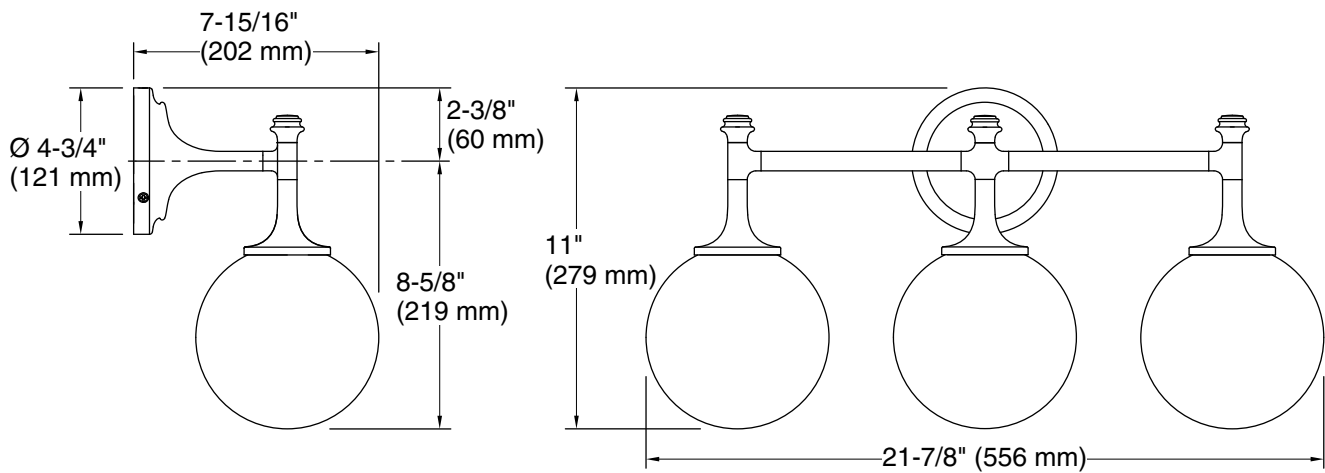
KOHLER® Indoor Lighting Fixtures Limited Warranty

See website for detailed warranty information.

Available Colors/Finishes

Color tiles intended for reference only.

| Color | Code | Description |
|---|------|-----------------------|
|  | BNL | Brushed Nickel |
|  | CPL | Polished Chrome |
|  | BLL | Matte Black |
|  | 2GL | Brushed Moderne Brass |



Required Electrical Service

One circuit required.

120 V, 1.5 A, 60 Hz

Technical Information

All product dimensions are nominal.

Material: Steel, Aluminum, Zinc, Glass

Number of Lights: 3

Lighting Type: Socket-based

Socket Type: E-12 Candelabra

Number of Shades: 3

Shade Type: Clear Glass

Hanging Type: Non-hanging