

## Features

- Ridged cylindrical glass shades combine with faceted metals in vintage-inspired fixtures elegant enough for any room
- Coordinates with faucets in the Occasion collection
- Requires three bulbs with medium (E26) base; T10 bulb recommended (sold separately)
- Suitable for damp locations, per UL 1598
- Includes installation hardware

## Material

- Premium metal and glass construction
- Manufactured with quality materials and complemented with a meticulous finishing process
- Durable finishes engineered to last and designed to coordinate with KOHLER faucet finishes



## Codes/Standards

UL 1598  
CSA C22.2 No. 250.0

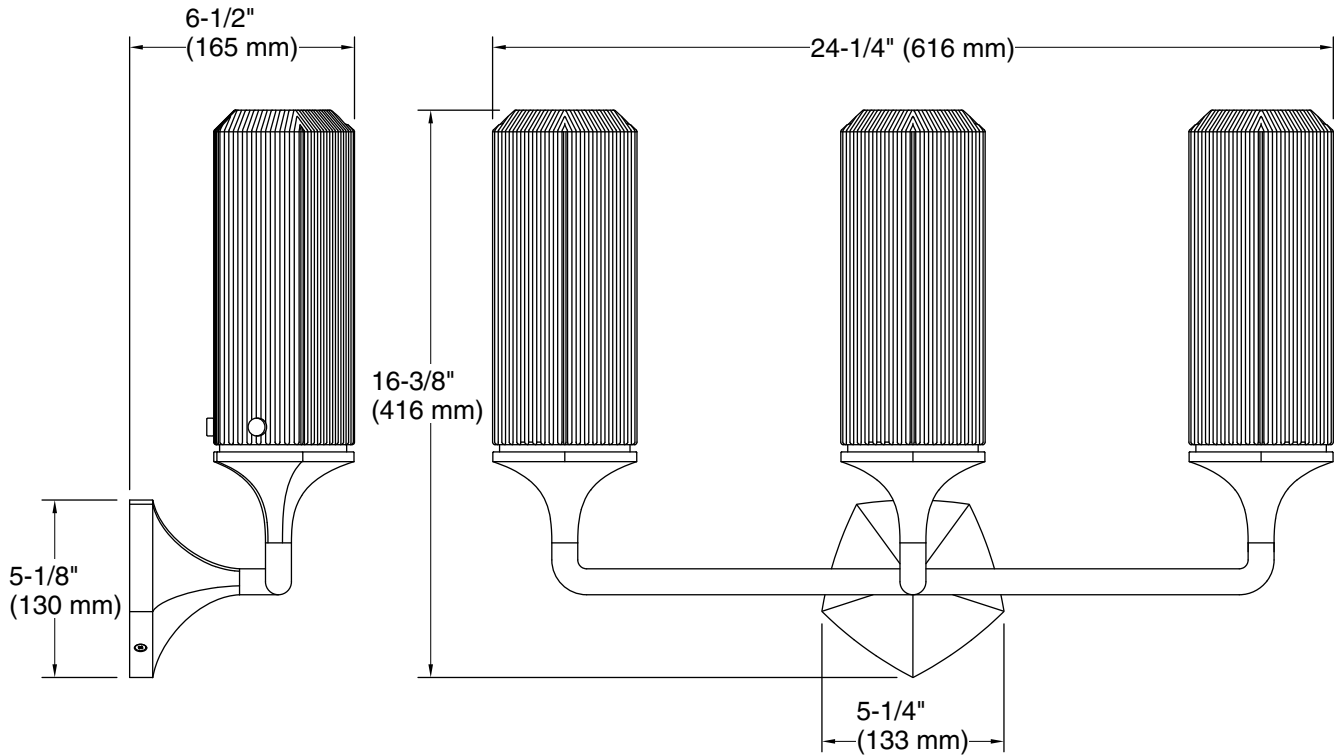
## KOHLER® Indoor Lighting Fixtures Limited Warranty

See website for detailed warranty information.

## Available Colors/Finishes

*Color tiles intended for reference only.*

Color	Code	Description
	SNL	Polished Nickel
	BNL	Brushed Nickel
	CPL	Polished Chrome
	BLL	Matte Black
	BML	Black, Brass Trim
	2GL	Brushed Moderne Brass



## Required Electrical Service

One circuit required.

120 V, 1.5 A, 60 Hz

## Technical Information

All product dimensions are nominal.

Material: Steel, Zinc, Glass  
Number of Lights: 3  
Lighting Type: Socket-based  
Socket Type: E-26 Medium  
Number of Shades: 3  
Shade Type: Glass - clear  
Hanging Type: Non-hanging