



Embra™ by Studio McGee

14" pendant
K-32259-PE01

Features

- Designed in collaboration with Studio McGee
- Globular glass shade extends from decorative chain in an elegant transitional design suited for any room
- Requires bulb with medium (E26) base; type A19 bulb recommended (sold separately)
- Suitable for damp locations, per UL 1598
- Includes installation hardware
- Coordinates with other products in the Embra collection
- Fixture is dimmable when paired with dimmer switch and compatible bulbs

Material

- Premium metal and glass construction
- Manufactured with quality materials and complemented with a meticulous finishing process
- Durable finishes engineered to last and designed to coordinate with KOHLER faucet finishes



Codes/Standards

UL 1598
CSA C22.2 No. 250.0

KOHLER® Indoor Lighting Fixtures Limited Warranty

See website for detailed warranty information.

Available Colors/Finishes

Color tiles intended for reference only.

Color	Code	Description
	SNL	Polished Nickel
	BNL	Brushed Nickel
	CPL	Polished Chrome
	BLL	Matte Black
	2GL	Brushed Moderne Brass

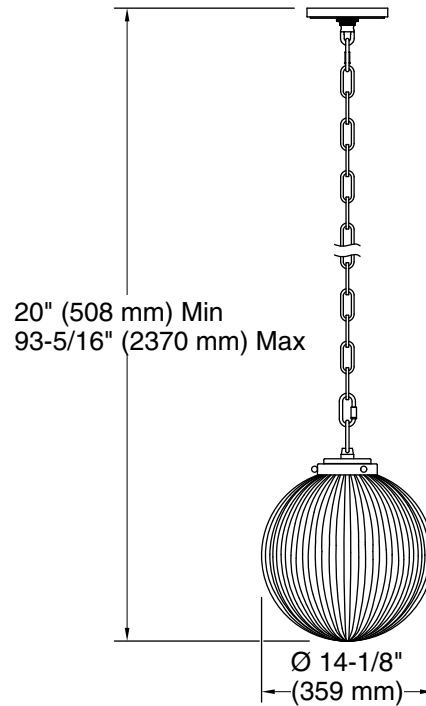
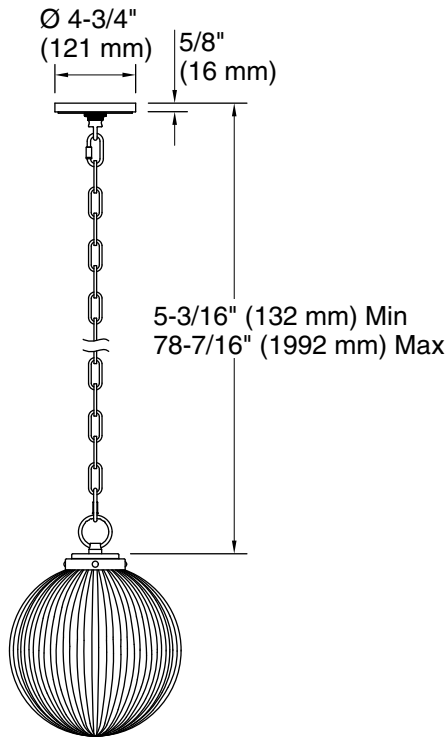
1-800-4KOHLER (1-800-456-4537)

Kohler Co. reserves the right to make revisions without notice to product specifications.

For the most current Specification Sheet, go to www.kohler.com USA or www.kohler.ca Canada

10-20-2024 23:36 - US/CA

THE BOLD LOOK
OF **KOHLER**®



Required Electrical Service

One circuit required.

120 V, 0.833 A, 60 Hz

Technical Information

All product dimensions are nominal.

Material:	Steel, Glass, Brass
Number of Lights:	1
Lighting Type:	Socket-based
Socket Type:	E-26 Medium
Number of Shades:	1
Shade Type:	Clear Glass
Hanging Type:	Chain
Height:	20" (508 mm) - 93-5/16" (2369 mm)

Notes

Install this product according to the installation instructions.