



Landshapes™ by Daniel Arsham

30" bathroom vanity cabinet
K-32264

Features

- Designed in collaboration with Daniel Arsham
- Two solid-wood drawers with dovetail construction
- Soft-close undermount drawer slides for smooth opening
- Full-extension 16-3/4" (425 mm) deep drawers provide ample storage
- Integrated drawer finger pulls allow vanity to be finished with or without coordinating hardware
- Pre-drilled pilot holes for installing coordinating Landshapes by Daniel Arsham decorative knobs (sold separately)
- Coordinates with other products in the Landshapes™ by Daniel Arsham collection

Material

- Solid and composite wood
- Wood is a living material, and its beauty is enhanced by natural variations in grain, color, and pattern. No two pieces of wood are exactly the same, and the color will change with age, temperature, and exposure to light

Installation

- Professional installation recommended

Recommended Products/Accessories

- K-32307 31" Dekton® vanity top
- K-32263 Triangular cabinet knob
- K-34748 Oval cabinet knob
- K-32300 21-1/2" oval vessel bathroom sink, no overflow
- K-32317 27" x 39" framed mirror
- K-32320 38" x 60" framed mirror
- K-T77981-CLG Wall-mount bathroom sink faucet handle trim
- K-5401-DA One-piece elongated smart toilet, dual-flush
- K-32131 69-1/2" x 34-1/2" freestanding bath
- K-32693-SCLED One-light LED sconce
- K-32694-SCLED One-light LED sconce
- K-32695-PELED 14-3/4" pendant



Codes/Standards


ASME A112.19.2/CSA B45.1

KOHLER® One-Year Limited Warranty

See website for detailed warranty information.

Available Colors/Finishes

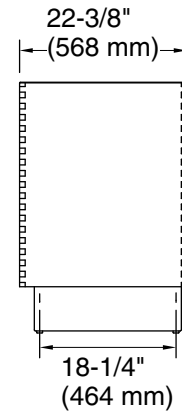
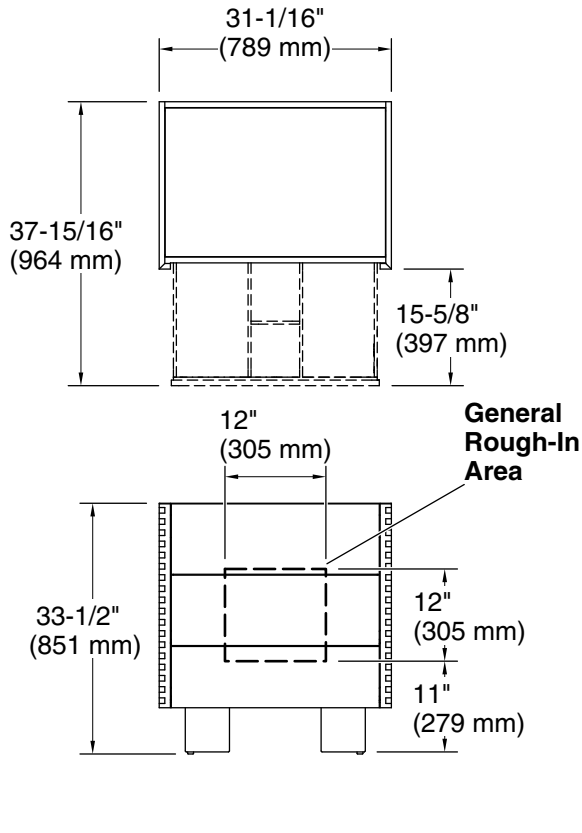
Color tiles intended for reference only.

Color	Code	Description
	STT	Stratified Oak



Landshapes™ by Daniel Arsham

30" bathroom vanity cabinet
K-32264



Technical Information

All product dimensions are nominal.

Lighting included: No

Notes

Install this product according to the installation guide.

If installing the Landshapes™ by Daniel Arsham vanity, vanity top, and vessel sink together, the bathroom sink drain outlet must be installed 28" (711 mm) or higher from the floor.