



**Hauksbee®**  
One-light bell sconce  
**K-32281-SC01**

**Features**

- The glass shade detail is reminiscent of vintage holophane glass
- A perfect piece for any farmhouse- or industrial-style space — kitchen, master bathroom, guest bathroom, hallway, or mudroom
- Medium base (E26) socket, works best with type A or G light bulbs (sold separately)
- Suitable for damp locations, per UL 1598
- Fixture is dimmable when paired with dimmer switch and compatible bulbs

**Material**

- Manufactured with quality materials and complemented with a meticulous finishing process
- Durable finishes engineered to last and designed to coordinate with KOHLER faucet finishes

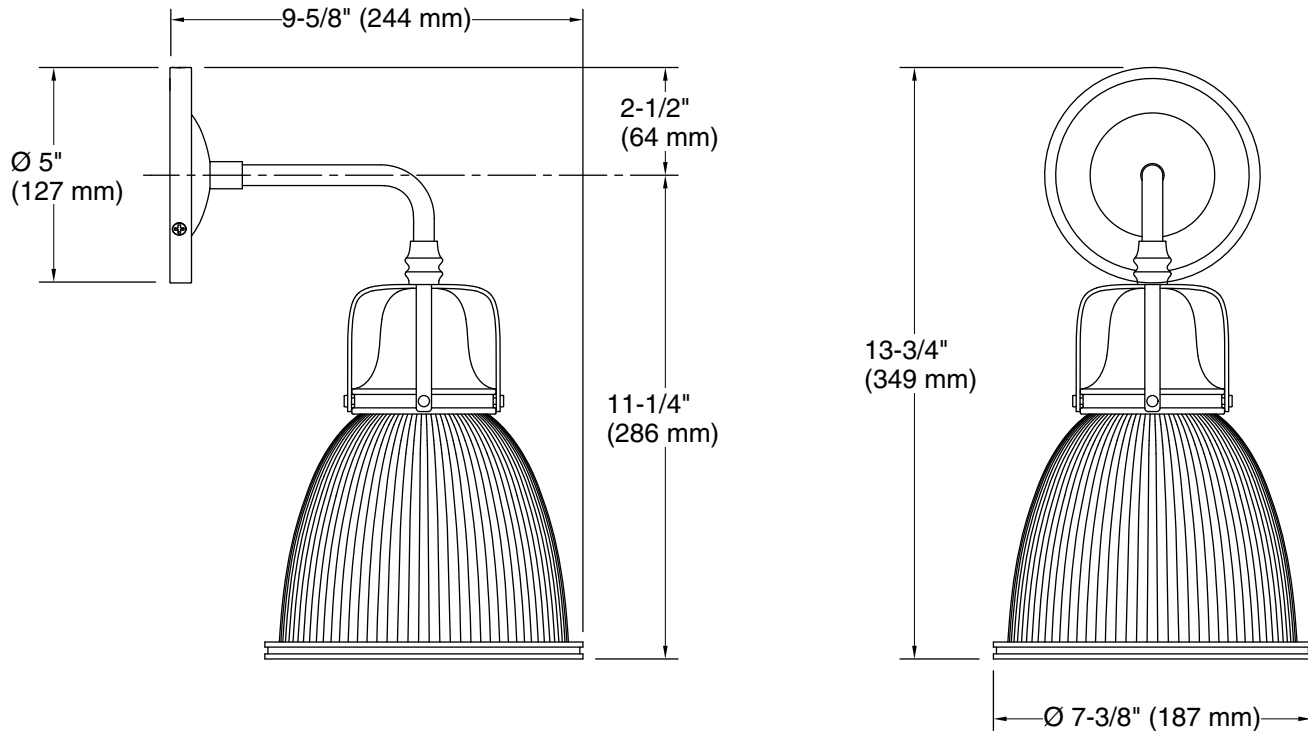


**Codes/Standards**

UL 1598  
CSA C22.2 No. 250.0

**KOHLER® Indoor Lighting Fixtures  
Limited Warranty**

See website for detailed warranty information.



## Required Electrical Service

One dedicated circuit required.

Lights: 120 V, 0.833 A, 60 Hz

## Technical Information

All product dimensions are nominal.

Material: Steel, Aluminum, Glass

Number of Lights: 1

Lighting Type: Socket-based

Socket Type: E-26 Medium

Number of Shades: 1

Shade Type: Glass - frosted

Hanging Type: Non-hanging

Electrical component Socket Rating: 60 Hz, 100 W  
rating: