

Features

- The glass shade detail is reminiscent of vintage holophane glass
- A perfect piece for any farmhouse- or industrial-style space — especially over a double vanity or in a guest bathroom or powder room
- Medium base (E26) socket, works best with type A or G light bulbs (sold separately)
- Suitable for damp locations, per UL 1598

Material

- Manufactured with quality materials and complemented with a meticulous finishing process
- Durable finishes engineered to last and designed to coordinate with KOHLER faucet finishes

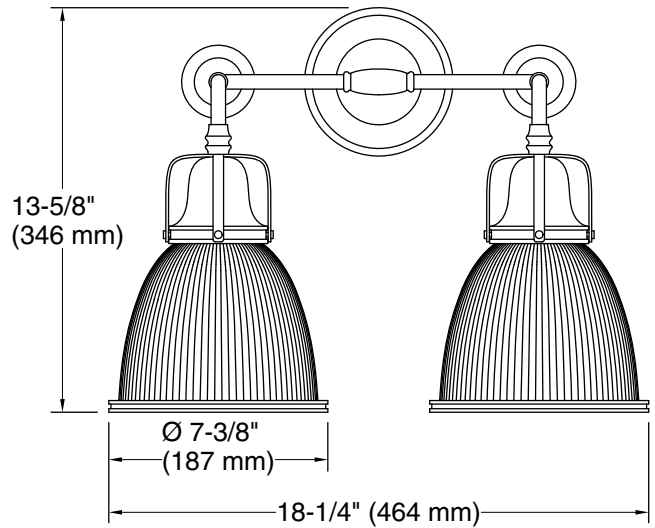
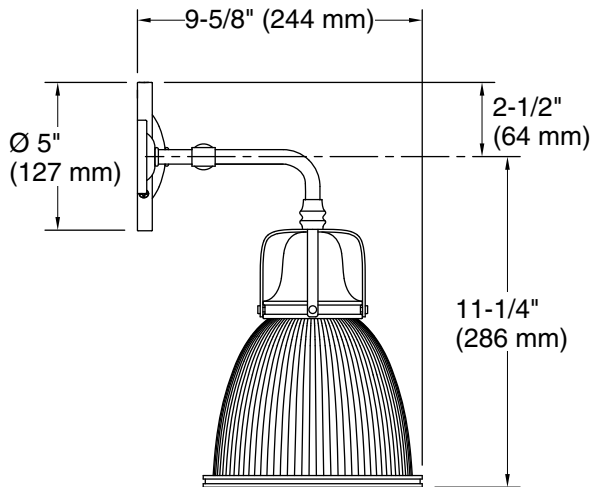


Codes/Standards

UL 1598
CSA C22.2 No. 250.0

KOHLER® Indoor Lighting Fixtures Limited Warranty

See website for detailed warranty information.



Required Electrical Service

One circuit required.

Lights: 120 V, 1.666 A, 60 Hz

Technical Information

All product dimensions are nominal.

- Material: Steel, Aluminum, Glass
- Number of Lights: 2
- Lighting Type: Socket-based
- Socket Type: E-26 Medium
- Number of Shades: 2
- Shade Type: Glass - frosted
- Hanging Type: Non-hanging
- Electrical component rating: Socket Rating: 60 Hz, 100 W