

# KOHLER®

**Hauksbee®**  
Three-light bell sconce  
**K-32283-SC03**

## Features

- The glass shade detail is reminiscent of vintage holophane glass
- A perfect piece for any farmhouse- or industrial-style space — especially over a double vanity or in a guest bathroom or powder room
- Medium base (E26) socket, works best with type A or G light bulbs (sold separately)
- Suitable for damp locations, per UL 1598

## Material

- Manufactured with quality materials and complemented with a meticulous finishing process
- Durable finishes engineered to last and designed to coordinate with KOHLER faucet finishes



## Codes/Standards

UL 1598  
CSA C22.2 No. 250.0

## KOHLER® Indoor Lighting Fixtures Limited Warranty

See website for detailed warranty information.

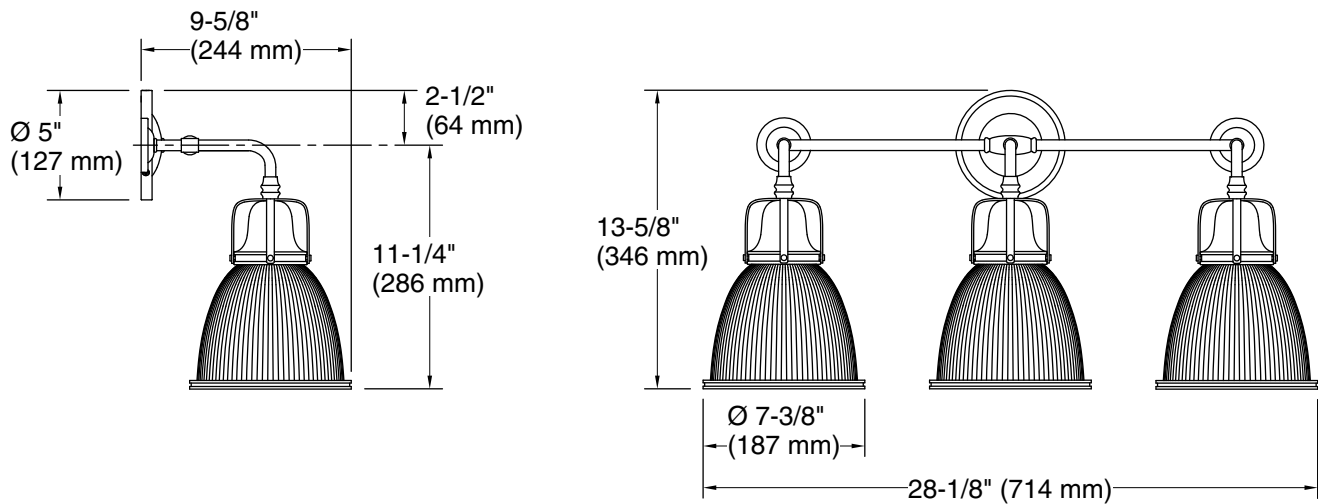
1-800-4KOHLER (1-800-456-4537)

Kohler Co. reserves the right to make revisions without notice to product specifications.

For the most current Specification Sheet, go to [www.kohler.com](http://www.kohler.com) USA or [www.kohler.ca](http://www.kohler.ca) Canada

8-26-2024 22:23 - US/CA

THE BOLD LOOK  
OF **KOHLER®**



## Required Electrical Service

One dedicated circuit required.

Lights: 120 V, 2.5 A, 60 Hz

## Technical Information

All product dimensions are nominal.

Material: Steel, Aluminum, Glass

Number of Lights: 3

Lighting Type: Socket-based

Socket Type: E-26 Medium

Number of Shades: 3

Shade Type: Glass - frosted

Hanging Type: Non-hanging

Electrical component rating: Socket Rating: 60 Hz, 100 W