

Features

- Hybrid heater provides continuously heated water for consistent comfort
- Fits most round-front toilets
- Stainless steel wand is automatically cleaned before and after each use
- Front and rear wash modes provide warm water for cleansing
- Oscillating wash covers a wider area of cleansing
- Turbo setting produces a massaging effect as water moves back and forth
- Air-bubble wash offers a soft, gentle wash with effective cleansing
- Side-mounted control panel is accessible and easy to use
- Heated seat with adjustable temperature levels and warm-air dryer
- Quiet-Close™ lid and seat prevents slamming
- Automatic deodorization with carbon filter for odor control

Technology

- Two-stage energy-saving feature

Installation

- Requires connection to toilet water supply line. All hoses and connections are included
- Requires dedicated electrical GFCI circuit (120 V, 15 A, 60 Hz)



Codes/Standards

ASME A112.4.2/CSA B45.16
UL 1431
CSA C22.2 No. 64
CSA C22.2 No. 68
IAPMO Certification


KOHLER® Intelligent Toilet and C3® Cleansing Seat Three-Year Limited Warranty

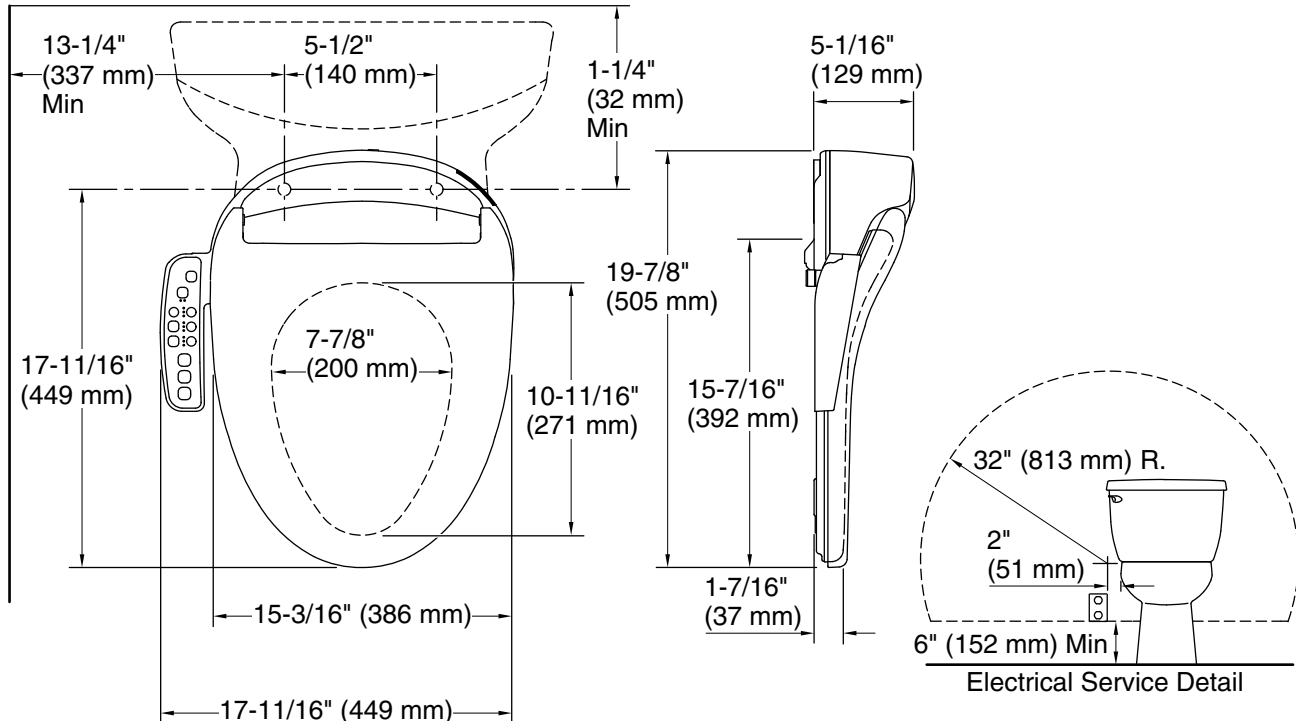
See website for detailed warranty information.

Available Colors/Finishes

Color tiles intended for reference only.

Color	Code	Description
-------	------	-------------

	0	White
-------------------------------------------------------------------------------------	---	-------



Required Electrical Service

One dedicated circuit required, protected with Class A Ground-Fault Circuit-Interrupter (GFCI). Outside North America, this device may be known as a Residual Current Device (RCD).
 120 V, 15 A, 60 Hz

Technical Information

All product dimensions are nominal.

Seat shape type: Round-front
 Seat front type: Closed-front
 Seat-mounting holes: 5-1/2" (140 mm)
 Power cord length: 39" (991 mm)

Notes

Install this product according to the installation instructions.

To avoid possible product malfunction, do not plug in the seat until instructed to do so.

Locate the receptacle at least 6" (152 mm) above the floor, and within a 32" (813 mm) radius measured 2" (51 mm) from the bowl ledge.

Do not install this seat in a location where: (1) water might be splashed on the product or (2) excessive moisture, high humidity levels, or condensation is present. This will avoid damage to the electronic components.