

Features

- Globular glass shades are gracefully suspended from curved metal bases in artist-inspired arrangements
- A great piece for almost any space — master bathroom, guest bathroom, hallway, or bedside
- Requires one bulb with G9 socket; G9 LED bulb recommended (sold separately)
- Suitable for damp locations, per UL 1598
- Includes installation hardware
- Fixture is dimmable when paired with dimmer switch and compatible bulbs

Material

- Manufactured with quality materials and complemented with a meticulous finishing process
- Durable finishes engineered to last and designed to coordinate with KOHLER faucet finishes

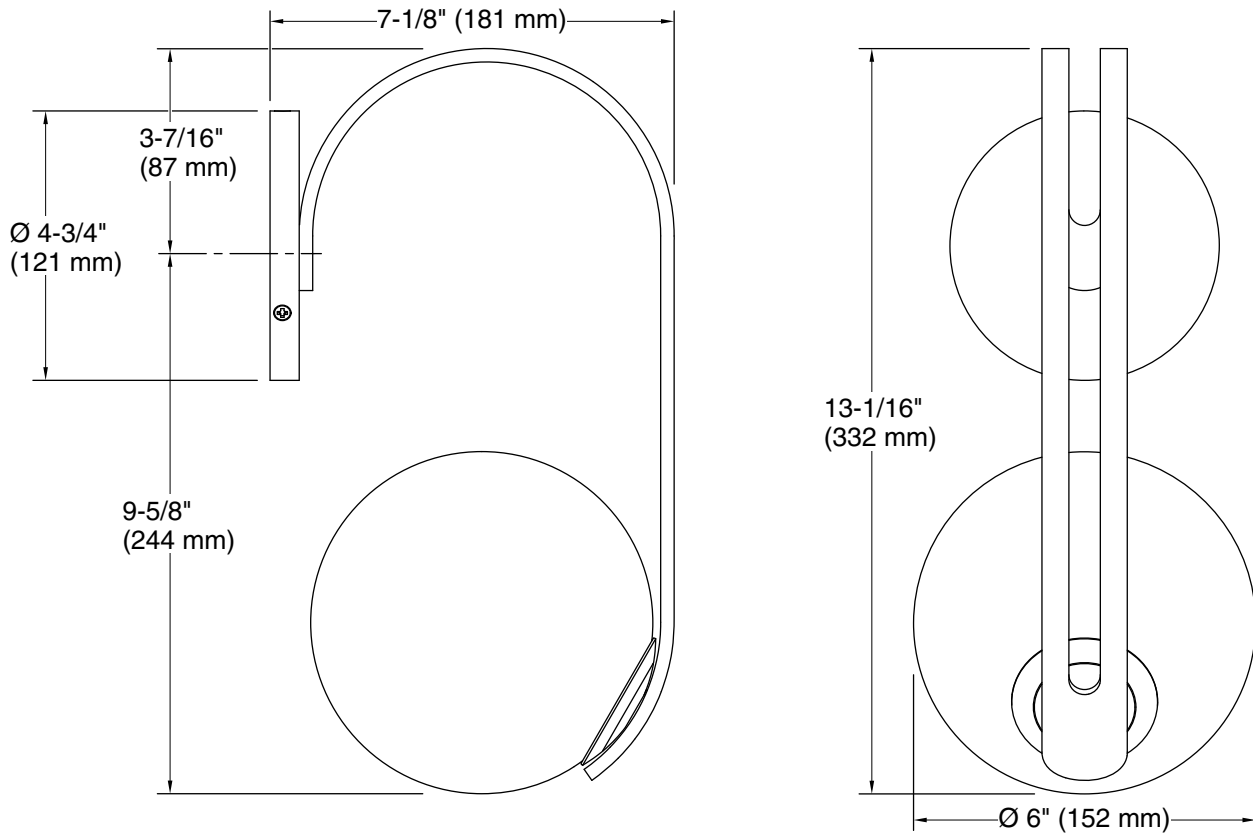


Codes/Standards

UL 1598
CSA C22.2 No. 250.0

KOHLER® Indoor Lighting Fixtures Limited Warranty

See website for detailed warranty information.



Required Electrical Service

One circuit required.

120 V, 0.0416 A, 60 Hz

Technical Information

All product dimensions are nominal.

Material: Steel, Aluminum, Glass

Number of Lights: 1

Lighting Type: Socket-based

Socket Type: 2 pin G9

Number of Shades: 1

Shade Type: Glass - frosted

Hanging Type: Non-hanging