

Features

- Globular glass shades are gracefully suspended from curved metal bases in artist-inspired arrangements
- A great piece for almost any space — master bathroom, guest bathroom, hallway, or bedside
- Requires one bulb with medium (E26) base; T10 bulb recommended (sold separately)
- Suitable for damp locations, per UL 1598
- Includes installation hardware
- Fixture is dimmable when paired with dimmer switch and compatible bulbs

Material

- Manufactured with quality materials and complemented with a meticulous finishing process
- Durable finishes engineered to last and designed to coordinate with KOHLER faucet finishes

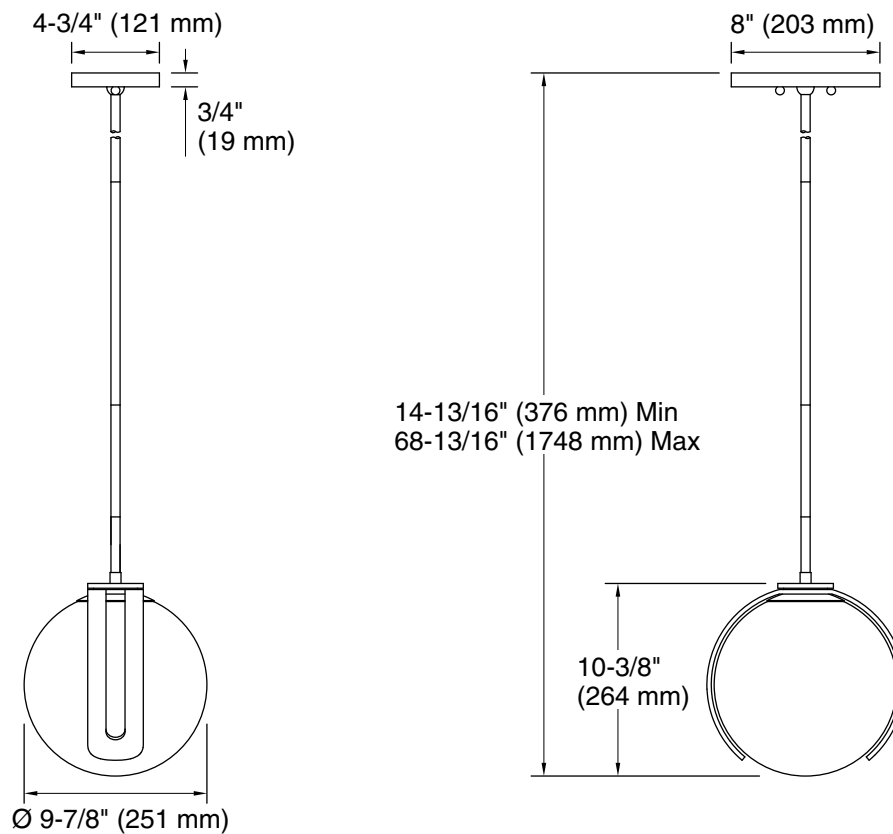


Codes/Standards

UL 1598
CSA C22.2 No. 250.0

KOHLER® Indoor Lighting Fixtures Limited Warranty

See website for detailed warranty information.



Required Electrical Service

One circuit required.

120 V, 0.5 A, 60 Hz

Technical Information

All product dimensions are nominal.

| | |
|-------------------|---|
| Material: | Steel, Aluminum, Glass |
| Number of Lights: | 1 |
| Lighting Type: | Socket-based |
| Socket Type: | E-26 Medium |
| Number of Shades: | 1 |
| Shade Type: | Glass - frosted |
| Hanging Type: | Downrod |
| Downrod Detail: | 2 x 18" (457 mm), 1 x 12" (305 mm), 1 x 6" (152 mm), 1 x 3" (76 mm) |
| Height: | 14-13/16" (376 mm) - 68-13/16" (1748 mm) |