

Features

- Round-front seat with lid
- Bidet functionality
- Sleek, handheld remote control
- Front and rear wash modes for cleansing
- Choose oscillating or pulsating spray
- Heated seat with adjustable temperature settings
- Automatic deodorization system for odor control
- Quiet-Close™ functionality to prevent seat from slamming
- Quick-Release™ functionality allows seat to be removed easily from toilet for convenient cleaning
- Quick-Attach™ hardware for fast and secure installation
- ReadyLatch™ hinge provides a positive lock/unlock latch to securely hold seat in position, yet seat easily removes for cleaning or adjusting fit

Material

- Plastic construction

Installation

- Requires connection to toilet water supply line. All hoses and connections are included

Recommended Products/Accessories

K-279031N-2SS Wall-hung round-front toilet bowl with skirted trapway



Codes/Standards

None Applicable


KOHLER® India Faucet, Sanitaryware and Bathing Products Limited Warranty

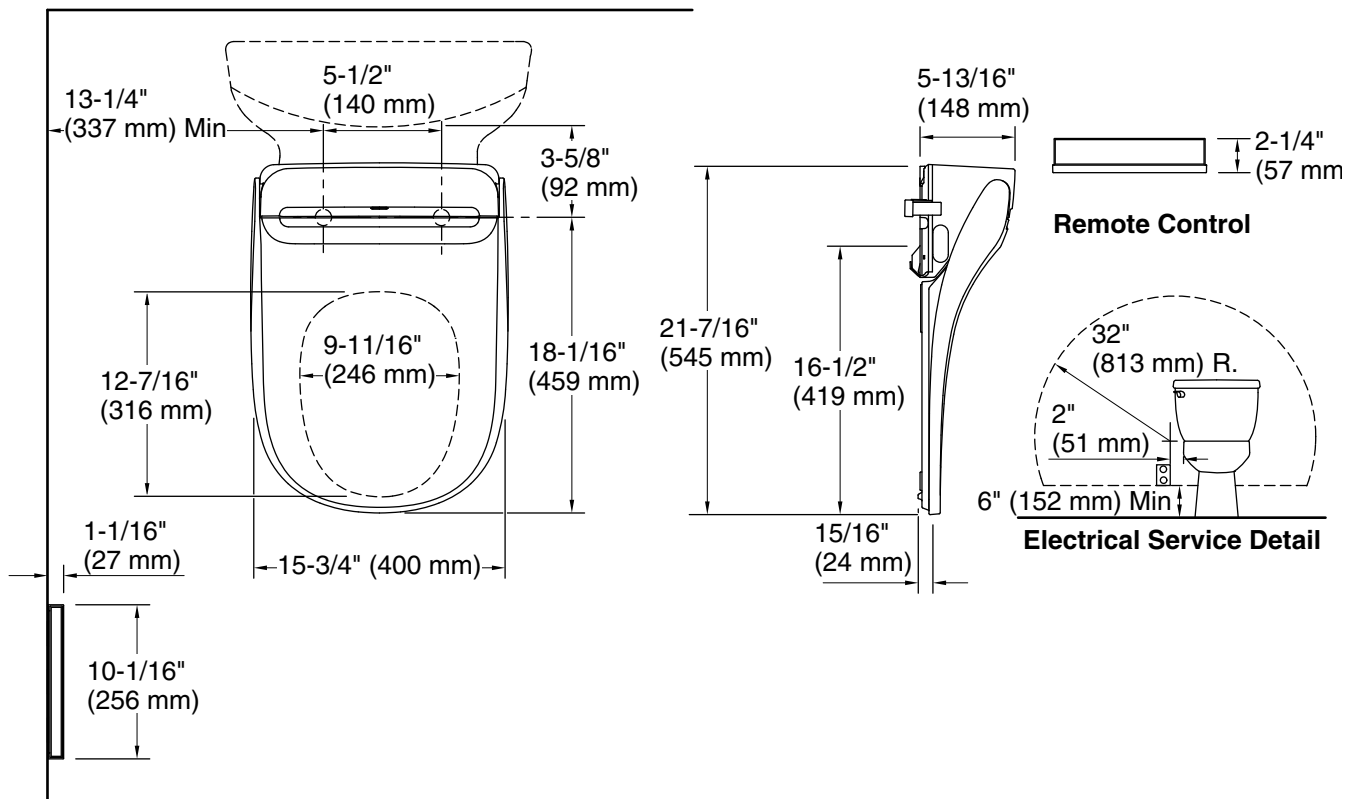
See website for detailed warranty information.

Available Colors/Finishes

Color tiles intended for reference only.

Color	Code	Description
-------	------	-------------

	0	White
---	---	-------



Required Electrical Service

One circuit required.

Cleansing toilet seat: 220-240 V, 16 A, 50 Hz

Technical Information

All product dimensions are nominal.

Seat shape type: Round-front

Seat front type: Closed-front

Seat-mounting holes: 140" (3556 mm)

Electrical component rating: Cleansing toilet seat: 220-240 V, 16 A, 50 Hz, 1445 W

Power cord length: 32" (813 mm)

Notes

Install this product according to the installation guide.

To avoid possible product malfunction, do not plug in the seat until instructed to do so.

Locate the receptacle at least 6" (152 mm) above the floor, and within a 32" (813 mm) radius measured 2" (51 mm) from the bowl ledge.

Do not use an extension cord with this product.

Do not install this seat in a location where: (1) water might be splashed on the product or (2) excessive moisture, high humidity levels, or condensation is present. This will avoid damage to the electronic components.

The minimum water inlet pressure is 10 Psi (0.07 Mpa) dynamic. The maximum water inlet pressure is 107 Psi (0.74 Mpa).