

Calpa® | K-32834

48" bathroom vanity cabinet with sink and quartz top

Features

- Set includes cabinet, precut quartz vanity top, backsplash, sink, cabinet hardware
- Rectangular vitreous china sink preinstalled on vanity top to simplify installation
- Vanity top has single faucet hole with knock-out holes for optional 8" (203 mm) widespread faucet configuration
- Two doors and four drawers
- Two doors with one adjustable shelf for personalized organization
- Full-extension 16-3/4" (425 mm) drawers with soft-close undermount slides
- Soft-close doors prevent slamming
- Solid-wood drawers with dovetail construction
- Built-in dividers in drawers to personalize organization
- Two internal electrical outlets and two USB ports for powering small devices
- Two stainless steel appliance holders for hairdryers, curling irons, or accessories
- Cabinet includes leg levelers to accommodate uneven floors
- Coordinates with Bianco Bella (GBB) quartz side splash (sold separately)
- Bianco Bella (GBB) quartz vanity top and backsplash add beauty and long-lasting durability



Available Colors/Finishes

Color tiles intended for reference only.

- 0 White
- 17 Teal
- EMG Emerald Green



Codes/Standards

ASME A112.19.2/CSA B45.1

Technical Information

All product dimensions are nominal.

Lighting Included: No
Number of Deck Holes: 1

Material

- Solid wood and moisture-resistant MDF
 - Vitreous china sink
-

Recommended Products/Accessories

K-38554 4" x 21-11/16" quartz side splash

Required Electrical Service

One circuit required, protected with Class A Ground-Fault Circuit-Interrupter (GFCI). Outside North America, this device may be known as a Residual Current Device (RCD).

Outlet: 120 V, 12 A, 60 Hz

Electrical Component Ratings

Outlet: 120 V, 12 A, 60 Hz

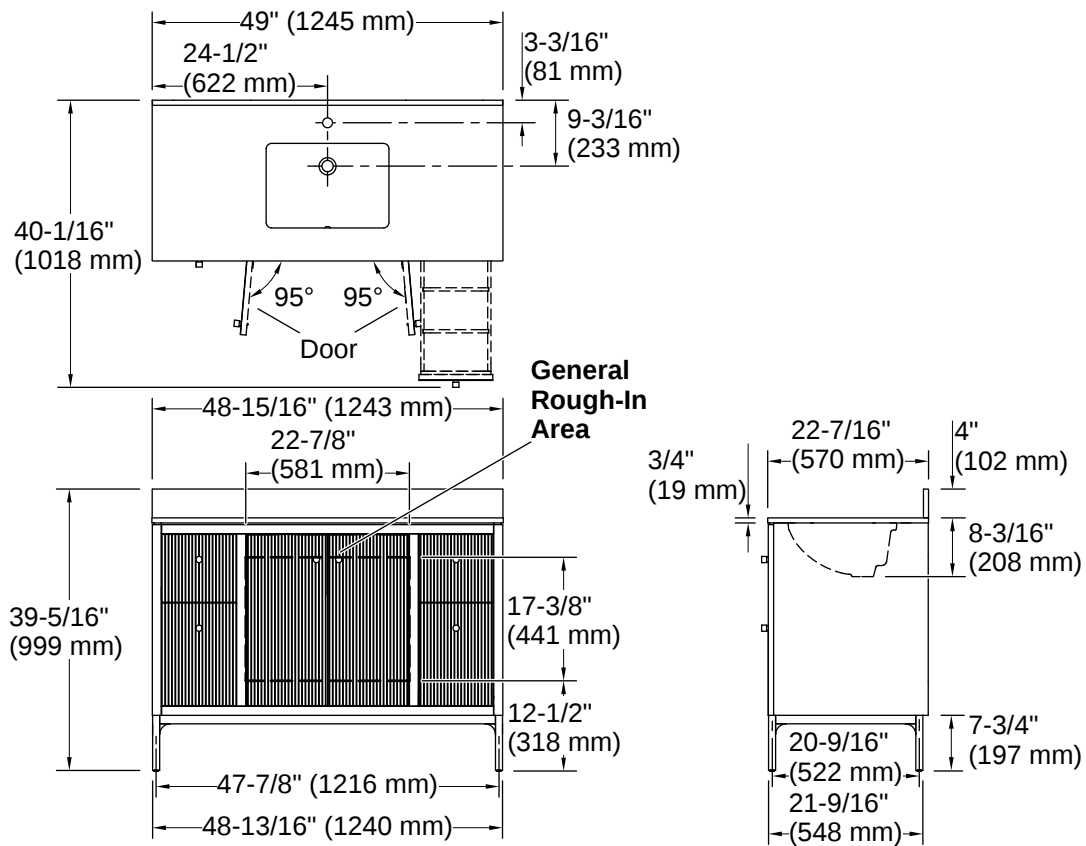
Power Cord Length: 98.4" (2499 mm)

Warranty

See website for detailed warranty information.

KOHLER® One-Year Limited Warranty





Installation

- Easy installation – no special tools required

Installation Notes

Install this product according to the installation instructions.

