

KOHLER® Faucets

Three-way bath/shower column, paddle handle, 9.5

lpm

K-33087T-4

Accliv™

Features

- Includes bath/shower column, exposed mixing valve with side bath/shower diverter button, 10" rainhead, multifunction handshower/hose, and handshower holder
- Single lever handle allows for both volume and temperature control
- Single-function round rainhead features Full Coverage with Katalyst™ air-induction technology, a drenching spray experience ideal for rinsing shampoo from hair
- Column's push-button diverter easily switches between rainhead and handshower outlets
- Renew™ multifunction handshower features three sprays: wide coverage with Katalyst technology, massage, and targeted
- Thumb tab allows for a smooth transition between sprays
- MasterClean™ sprayface features an easy-to-clean surface that withstands mineral buildup and maximizes spray performance
- Includes 60" (1524 mm) smooth hose
- Easy-to-adjust handshower holder slides up/down shower column with left-side release; locks in place at your preferred height
- Cold-water release expels cold water ahead of your next shower, for a warm experience the moment you turn on the faucet
- After shower, diverter automatically returns to default bath faucet position, for a safer next shower experience
- 2.5 gpm (9.5 lpm) maximum flow rate at 60 psi (4.14 bar)
- Part of the Accliv bathroom faucet and showering collection
- KOHLER® ceramic disc valves exceed industry longevity standards for a lifetime of durable performance



Codes/Standards

Plumbing Standards
GB 18145

See website for detailed warranty information.

Material

- Premium material construction for durability and reliability
- KOHLER® finishes resist corrosion and tarnishing

Installation

- Wall-mount
- G 1/2 inlet connection

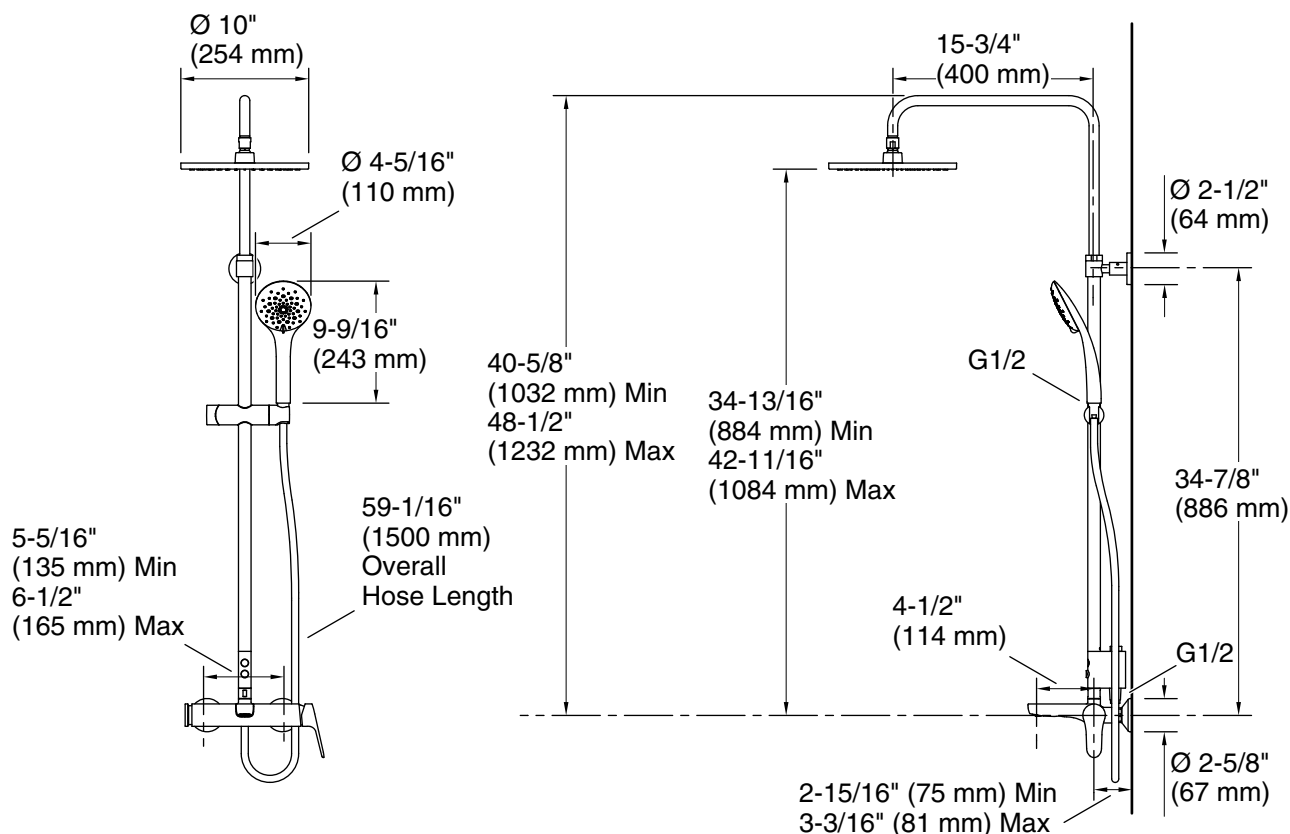
Landline 800-820-2628, Mobile 400-820-2628

Kohler Co. reserves the right to make revisions without notice to product specifications.

For the most current Specification Sheet, go to <http://www.kohler.com.cn/>.

3-27-2024 20:25 - CN

THE BOLD LOOK
OF **KOHLER®**



Technical Information

All product dimensions are nominal.

Handshower:

Rated maximum flow: 2.2 gal/min (8.3 l/min)

Pressure: 45 psi (3.1 bar)

Showerhead/Body Spray:

Rated maximum flow: 2.2 gal/min (8.3 l/min)

Pressure: 45 psi (3.1 bar)

Notes

Install this product according to the installation instructions.