

Features

- Includes bath/shower column, diverter/volume and thermostatic valves with side knob controls, 10" (254 mm) rainhead, multifunction handshower/hose, and handshower holder
- Volume control valve provides on/off operation, along with precise control of water volume and intensity
- Thermostatic valve allows user to set and maintain precise temperature
- Antiscald protection
- Single-function round rainhead features Full Coverage with Katalyst™ air-induction technology, a drenching spray experience ideal for rinsing shampoo from hair
- Column's push-button diverter easily switches between rainhead and handshower outlets
- Renew™ multifunction handshower features three sprays: wide coverage with Katalyst technology, massage, and targeted
- Thumb tab allows for a smooth transition between sprays
- MasterClean™ sprayface features an easy-to-clean surface that withstands mineral buildup and maximizes spray performance
- Easy-to-adjust handshower holder slides up/down shower column with left-side release; locks in place at your preferred height
- Cold-water release expels cold water ahead of your next shower, for a warm experience the moment you turn on the faucet
- After shower, diverter automatically returns to default bath faucet position, for a safer next shower experience
- 2.5 gpm (9.5 lpm) maximum flow rate at 60 psi (4.14 bar)
- Part of the Accliv bathroom faucet and showering collection
- KOHLER® ceramic disc valves exceed industry longevity standards for a lifetime of durable performance

Material

- Premium material construction for durability and reliability
- KOHLER® finishes resist corrosion and tarnishing

Technology

- Thermostatic technology automatically maintains temperature within +/- 0.4°C (+/- 0.72°F) during water pressure fluctuations

Installation

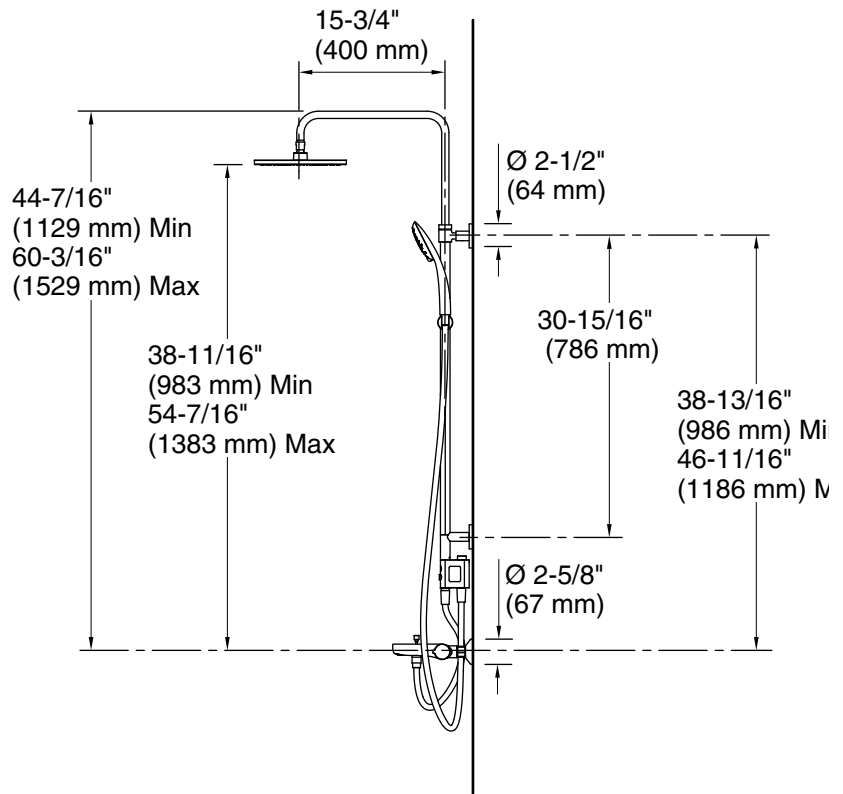
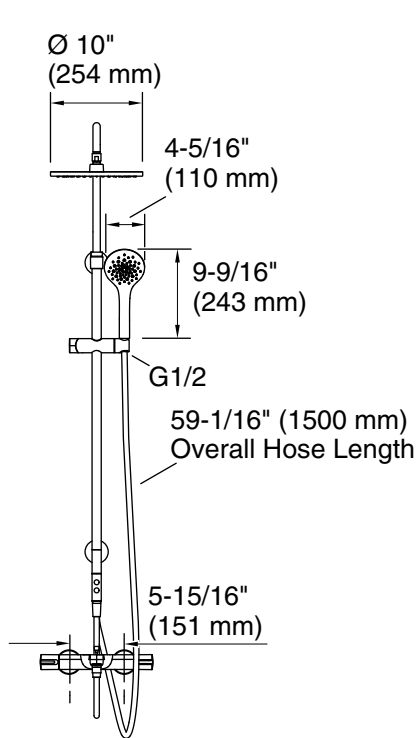
- Wall-mount
- G 1/2 inlet connection



Codes/Standards

Plumbing Standards
QB/T 2806

See website for detailed warranty information.



Technical Information

All product dimensions are nominal.

Drain included: No

Handshower:

Rated maximum flow: 2.5 gal/min (9.5 l/min)

Pressure: 60 psi (4.1 bar)

Showerhead/Body Spray:

Rated maximum flow: 2.5 gal/min (9.5 l/min)

Pressure: 60 psi (4.1 bar)

Notes

Install this product according to the installation instructions.