

Features

- Two Lever handles offer separate control of hot and cold water
- KOHLER® ceramic disc valves exceed industry longevity standards for a lifetime of durable performance
- 9-5/8" (244 mm) spout with diverter
- Traditional handshower with 60" (1524 mm) hose

Material

- Premium metal construction for durability and reliability
- KOHLER finishes resist corrosion and tarnishing

Installation

- Bath or wall-mount installation

Recommended Products/Accessories

K-100 72" x 37-1/2" freestanding bath
K-710-P5 66" x 36" freestanding bath
K-710-W 66" x 36" freestanding bath
K-23723 Faucet cleaner



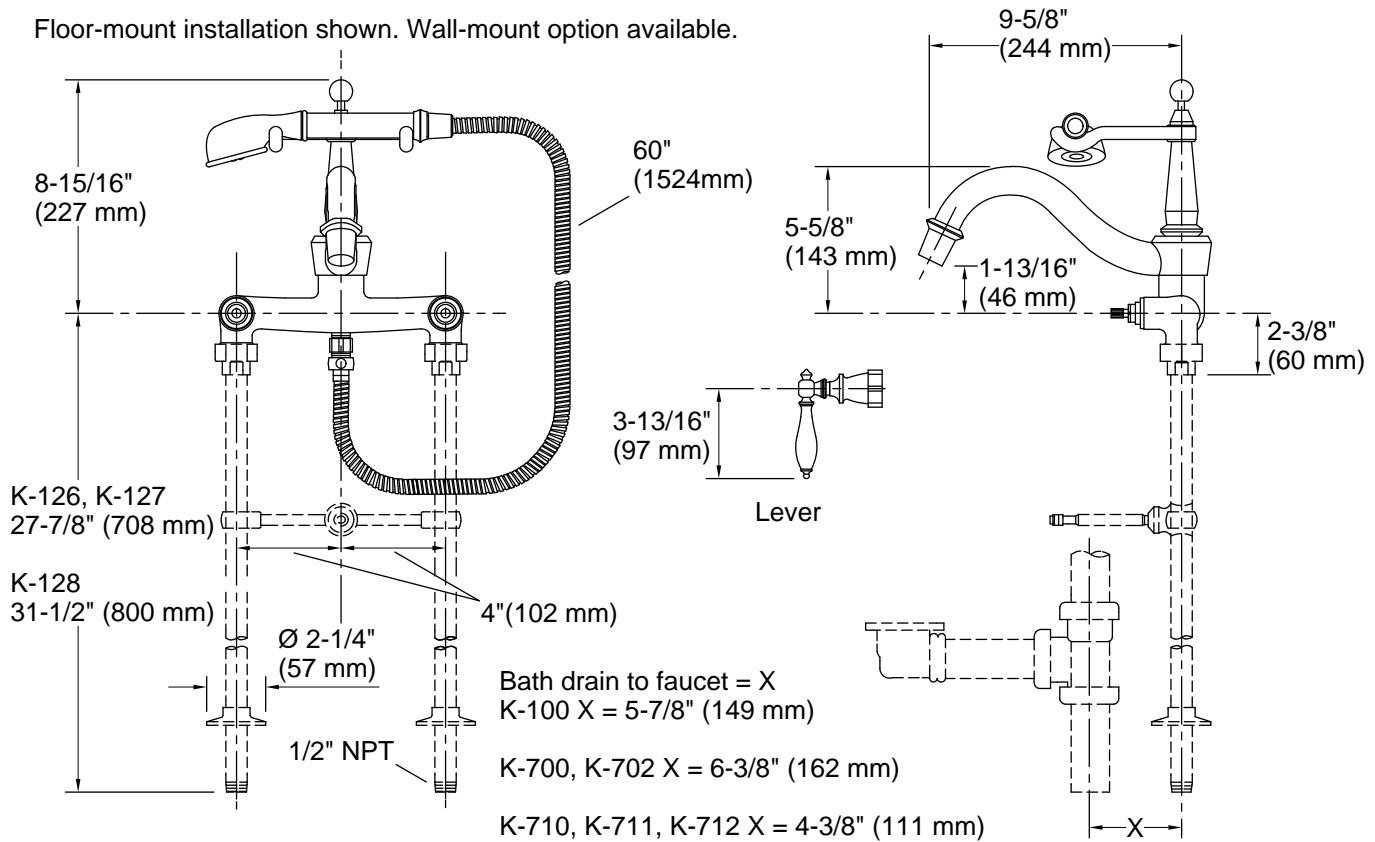
Codes/Standards

ASME A112.18.1/CSA B125.1
DOE - Energy Policy Act 1992
EPA WaterSense®
California Energy Commission (CEC)
IAPMO Certification

KOHLER® Faucet Lifetime Limited Warranty

See website for detailed warranty information.

Floor-mount installation shown. Wall-mount option available.



Technical Information

All product dimensions are nominal.

Faucet:

Flow rate: 15 gal/min (56.8 l/min)

Drain included: No

Handshower:

Rated maximum flow: 1.75 gal/min (6.6 l/min)

Notes

For use with automatic compensating valves rated at 1.3 gal/min (4.9 l/min) or less.

Install this product according to the installation instructions.