

#### Features

- 30" (762 mm) minimum base cabinet width
- Double-equal bowls
- 5-3/8" (137 mm) bowl depth for easy accessibility
- Bowl slopes toward drain to minimize water pooling
- Rear drains increase workspace in the sink and storage space underneath
- Box includes: Sink, two sink racks, utility rack, installation hardware, cutout template
- Rounded 3/8" (10 mm) corners are easy to clean
- SilentShield® sound-absorption technology offers quieter performance
- Sink drains with strainers sold separately

#### Material

- Premium 16-gauge stainless steel
- KOHLER stainless steel sinks resist corrosion and tarnishing

#### Installation

- Undermount

#### Optional Products/Accessories

- K-8801 Sink drain and strainer with tailpiece
- K-11352 Disposal Flange with Stopper
- K-23729 Stainless steel cleaner
- K-6429 Utility Rack
- K-35491 Marble serving tray

#### Included Components

- K-23992 Sink rack for K-80167 (Qty 2)
- K-6434 Saddle Utility Rack



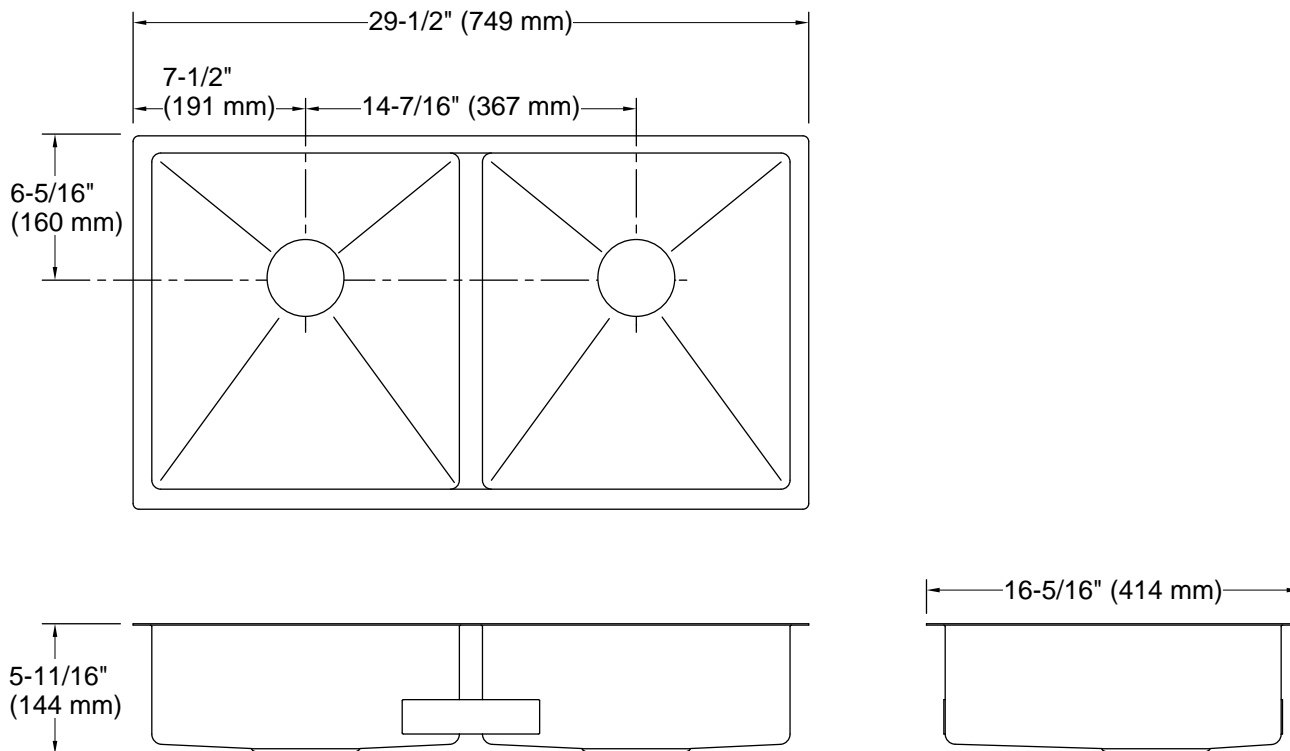
ADA

#### Codes/Standards

ASME A112.19.3/CSA B45.4  
ADA  
ICC/ANSI A117.1

#### KOHLER® Stainless Steel Sinks Lifetime Limited Warranty

See website for detailed warranty information.



### Technical Information

All product dimensions are nominal.

Basin configuration: Equal Bowls

Min. base cabinet width: 30" (762 mm)

Bowl area (Double Equal Basins): Length: 13-5/16" (338 mm)  
Width: 14-9/16" (370 mm)  
Bowl depth: 5-3/8" (137 mm)  
Water depth: 5-3/8" (137 mm)

Bowl area (Double Equal Basins): Length: 13-5/16" (338 mm)  
Width: 14-9/16" (370 mm)  
Bowl depth: 5-3/8" (137 mm)  
Water depth: 5-3/8" (137 mm)

Drain hole: 3-3/4" (94 mm)

Template: Undermount, 1533254-7, required, included

### Notes

Install this product according to the installation instructions.

**NOTICE:** Countertop manufacturer or cutter must use the cut-out template provided with the product, or a current one provided by Kohler Co. (call 1- 800-4KOHLER). Kohler Co. is not responsible for cutout errors when the incorrect cut-out template is used.

ADA compliant when installed to the specific requirements of these regulations.