

Features

- Fits minimum 36" (914 mm) apron sink base cabinet
- Single bowl
- 9" (229 mm) depth provides generous workspace
- Self-Trimming® apron overlaps cabinet face for easy installation and beautiful results
- Bowl slopes toward drain to minimize water pooling
- No faucet holes; requires wall- or deck-mount faucet
- Box includes: Sink, sink rack, installation hardware, cutout template
- SilentShield® sound-absorption technology offers quieter performance
- Sink drain with strainer sold separately

Material

- Premium 16-gauge stainless steel

Installation

- Undermount

Optional Products/Accessories

- K-8801 Sink drain and strainer with tailpiece
- K-11352 Disposal Flange with Stopper
- K-23729 Stainless steel cleaner

Included Components

- K-33162 Sink rack

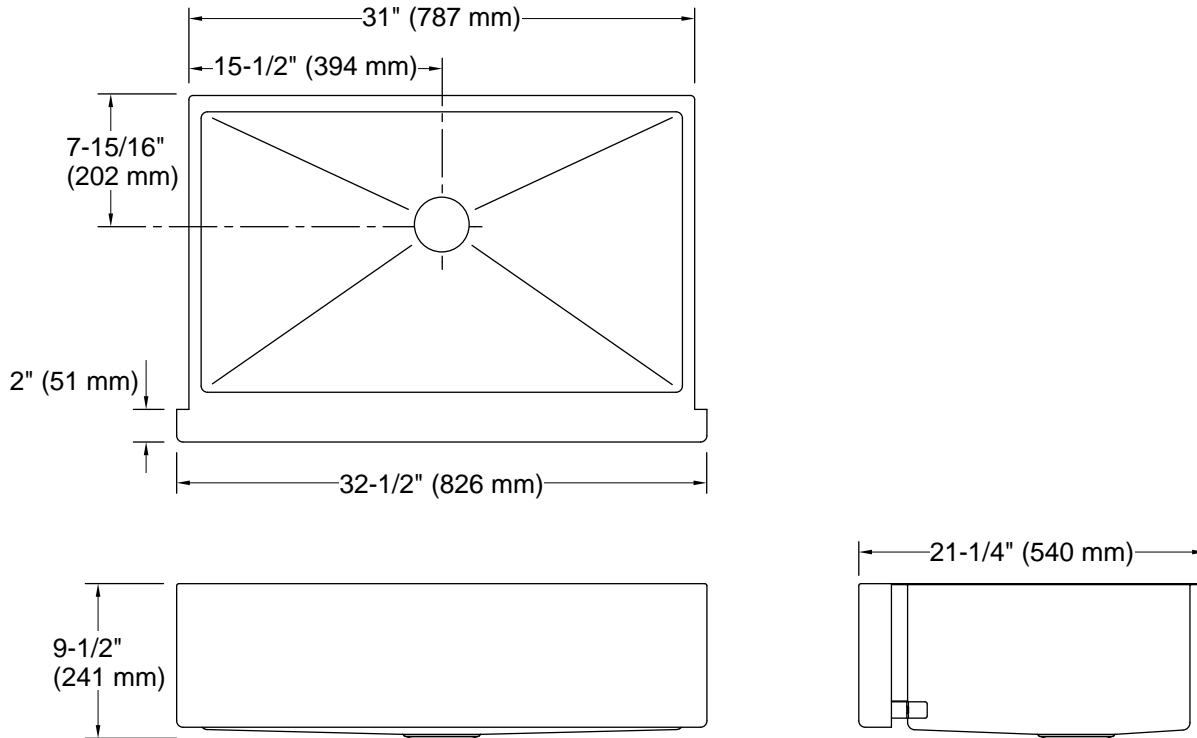


Codes/Standards

ASME A112.19.3/CSA B45.4

KOHLER® Stainless Steel Sinks Lifetime Limited Warranty

See website for detailed warranty information.



Technical Information

All product dimensions are nominal.

Basin configuration: Single Bowl

Min. base cabinet width: 33" (838 mm)

Bowl area (Only): Length: 29-1/2" (749 mm)
 Width: 17-3/16" (437 mm)
 Bowl depth: 9-3/16" (233 mm)
 Water depth: 9-3/16" (233 mm)

Drain hole: 3-3/4" (94 mm)

Template: 1533255-7, required, included

Notes

Install this product according to the installation instructions.

IMPORTANT! The distance from the top edge of the cabinet to the top of the cabinet door must be at least 8-13/16" (224 mm) to install this sink.

NOTICE: Countertop manufacturer or cutter must use the cut-out template provided with the product, or a current one provided by Kohler Co. (call 1-800-4KOHLER). Kohler Co. is not responsible for cutout errors when the incorrect cut-out template is used.