



# Strive® | K-33160

32" undermount double-bowl kitchen sink

## Features

- 33" (838 mm) minimum base cabinet width
- Double-equal bowls
- 5-1/2" (140 mm) bowl depth for easy accessibility
- Bowl slopes toward drain to minimize water pooling
- Rear drains increase workspace in the sink and storage space underneath
- Box includes: Sink, two sink racks, installation hardware, cutout template
- Rounded 3/8" (10 mm) corners are easy to clean
- SilentShield® sound-absorption technology offers quieter performance
- Sink drains with strainers sold separately



## Sustainability



## Available Colors/Finishes

*Color tiles intended for reference only.*

NA Stainless Steel



1-800-4KOHLER (1-800-456-4537)  
Kohler Co. reserves the right to make revisions without notice to product specifications.  
For the most current specification sheet, go to [www.kohler.com](http://www.kohler.com) USA or [www.kohler.ca](http://www.kohler.ca) Canada.  
4-15-2026 6:47 - US-CA

THE BOLD LOOK  
OF **KOHLER**

## Codes/Standards

*ADA compliant when installed to the specific requirements of these regulations.*

ADA

ASME A112.19.3/CSA B45.4  
ADA  
ICC/ANSI A117.1

## Technical Information

*All product dimensions are nominal.*

Drain Hole Diameter:	3-3/4" (94 mm)
Minimum Base Cabinet Width:	33" (838 mm)
Basin Configuration:	Equal Bowls
Left Basin Length:	14-9/16" (370 mm)
Left Basin Width:	16-9/16" (420 mm)
Left Basin Depth:	5-7/16" (138 mm)
Right Basin Length:	14-9/16" (370 mm)
Right Basin Width:	16-9/16" (420 mm)
Right Basin Depth:	5-7/16" (138 mm)

## Material

- KOHLER stainless steel sinks resist corrosion and tarnishing
- Premium 16-gauge stainless steel

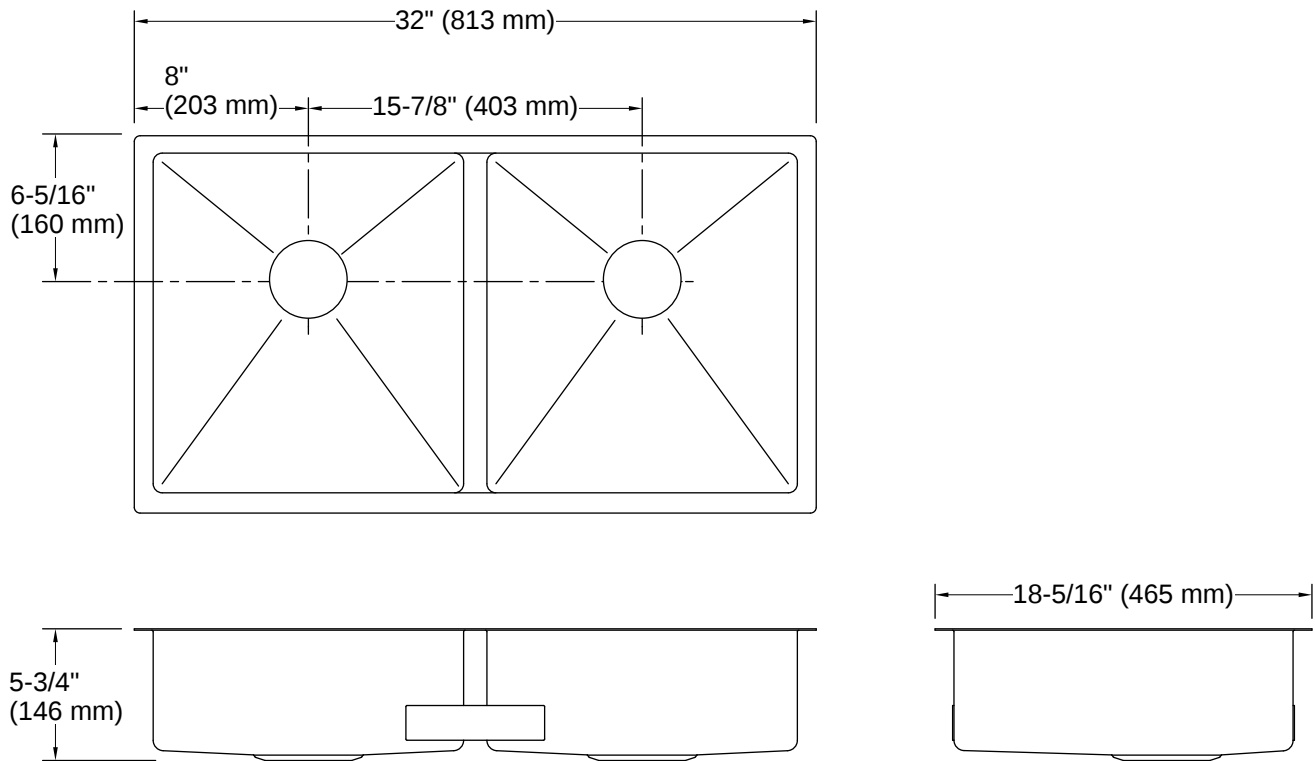
## Warranty

*See website for detailed warranty information.*

KOHLER® Stainless Steel Sinks Lifetime Limited Warranty



1-800-4KOHLER (1-800-456-4537)  
Kohler Co. reserves the right to make revisions without notice to product specifications.  
For the most current specification sheet, go to [www.kohler.com](http://www.kohler.com) USA or [www.kohler.ca](http://www.kohler.ca) Canada.  
4-15-2026 6:47 - US-CA



## Installation

- Undermount

## Installation Notes

*Install this product according to the installation instructions.*

NOTICE: Countertop manufacturer or cutter must use the cut-out template provided with the product, or a current one provided by Kohler Co. (call 1-800-4KOHLER). Kohler Co. is not responsible for cutout errors when the incorrect cut-out template is used.

ADA compliant when installed to the specific requirements of these regulations.

