



Undertone®
15-3/4" undermount single-bowl bar sink
K-3331

Features

- 21" (533 mm) minimum base cabinet width
- Single bowl
- 7-1/2" (191 mm) depth
- Rear drain placement increases cabinet storage space underneath sink
- Includes installation hardware

Material

- Premium 18-gauge stainless steel

Installation

- Undermount

Recommended Products/Accessories

- K-6388 Sink Rack
- K-8801 Sink drain and strainer with tailpiece
- K-8799 Sink drain and strainer basket
- K-23726 Drain treatment
- K-23729 Stainless steel cleaner

Optional Products/Accessories

- K-11352 Disposal Flange with Stopper

Included Components

- 91915 Hardware Kit



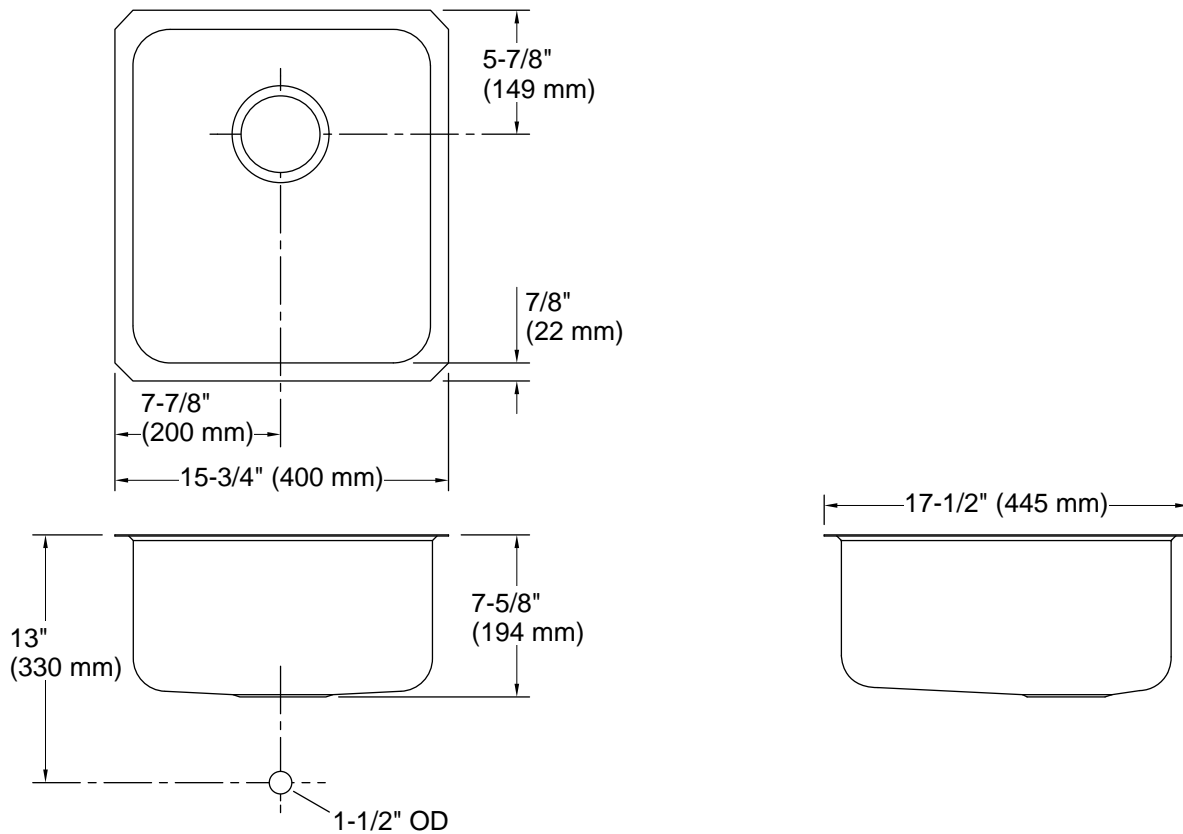
ADA

Codes/Standards

ASME A112.19.3/CSA B45.4
ADA
ICC/ANSI A117.1
IAPMO Certification

**KOHLER® Stainless Steel Sinks
Lifetime Limited Warranty**

See website for detailed warranty information.



Technical Information

All product dimensions are nominal.

Basin configuration: Single Bowl
 Min. base cabinet width: 21" (533 mm)

Bowl area (Only): Length: 14" (356 mm)
 Width: 15-3/4" (400 mm)
 Bowl depth: 7-1/2" (191 mm)
 Water depth: 7-1/2" (191 mm)

Drain hole: 3-5/8" (92 mm)

Template: 111134-7, required, included

Notes

Install this product according to the installation instructions.

ADA compliant when installed to the specific requirements of these regulations.

ADA permits a parallel approach to wet bars.