



Undertone®

10-3/4" undermount single-bowl kitchen sink
K-3333

Features

- 15" (381 mm) minimum base cabinet width
- Single bowl
- 5-1/2" (140 mm) depth
- Includes installation hardware

Material

- Premium 18-gauge stainless steel

Installation

- Undermount

Recommended Products/Accessories

- K-8801 Sink drain and strainer with tailpiece
- K-8799 Sink drain and strainer basket
- K-23726 Drain treatment
- K-23729 Stainless steel cleaner

Optional Products/Accessories

- K-11352 Disposal Flange with Stopper

Included Components

- 91915 Hardware Kit



ADA

Codes/Standards

- ASME A112.19.3/CSA B45.4
- ADA
- ICC/ANSI A117.1
- IAPMO Certification

KOHLER® Stainless Steel Sinks Lifetime Limited Warranty

See website for detailed warranty information.

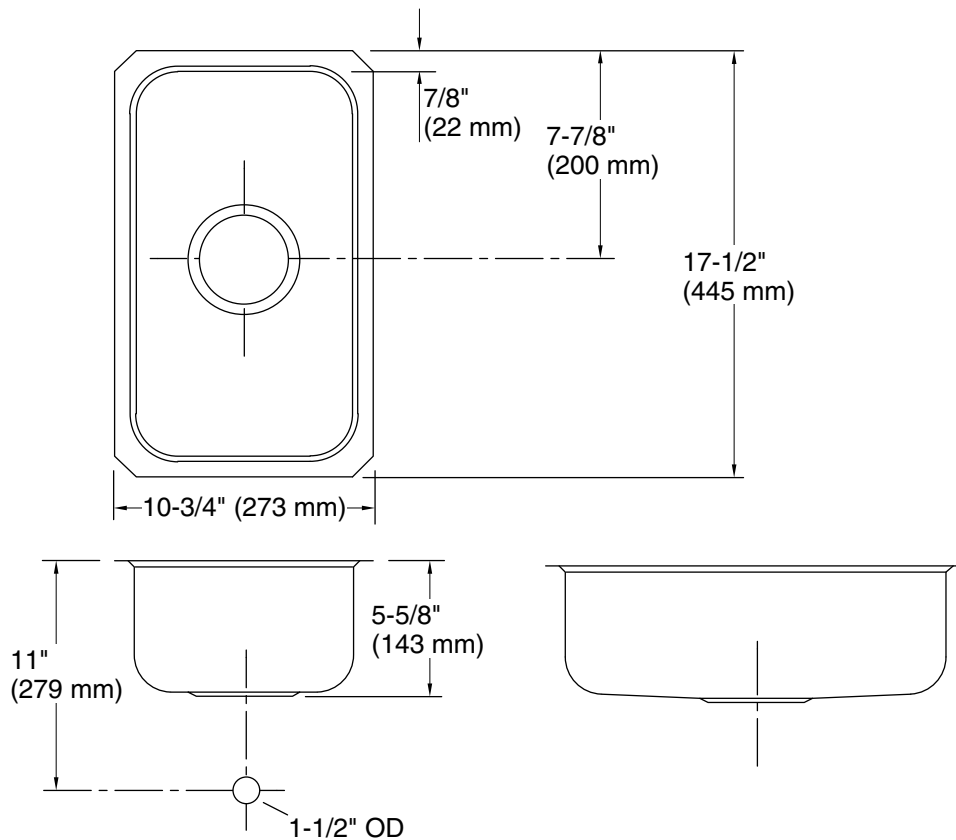
1-800-4KOHLER (1-800-456-4537)

Kohler Co. reserves the right to make revisions without notice to product specifications.

For the most current Specification Sheet, go to www.kohler.com USA or www.kohler.ca Canada

10-14-2024 19:59 - US/CA

THE BOLD LOOK
OF **KOHLER®**



Technical Information

All product dimensions are nominal.

Basin configuration: Single Bowl

Min. base cabinet width: 15" (381 mm)

Bowl area (Only): Length: 9" (229 mm)
Width: 15-3/4" (400 mm)
Bowl depth: 5-1/2" (140 mm)

Drain hole: 3-5/8" (92 mm)

Template: 113194-7, required, included

Notes

Install this product according to the installation instructions.

ADA compliant when installed to the specific requirements of these regulations.