



**Undertone®**  
19-3/4" undermount single-bowl kitchen sink  
**K-3335**

**Features**

- 24" (610 mm) minimum base cabinet width
- Single bowl
- 9-1/2" (241 mm) depth provides generous workspace
- Includes installation hardware

**Material**

- Premium 18-gauge stainless steel

**Installation**

- Undermount

**Recommended Products/Accessories**

- K-6389 Sink rack for Undertone® sinks
- K-8801 Sink drain and strainer with tailpiece
- K-8799 Sink drain and strainer basket
- K-23726 Drain treatment
- K-23729 Stainless steel cleaner

**Optional Products/Accessories**

- K-8813 Stainless steel sink drain and strainer with tailpiece
- K-8814 Stainless steel sink drain and strainer
- K-11352 Disposal Flange with Stopper

**Included Components**

- 91915 Hardware Kit

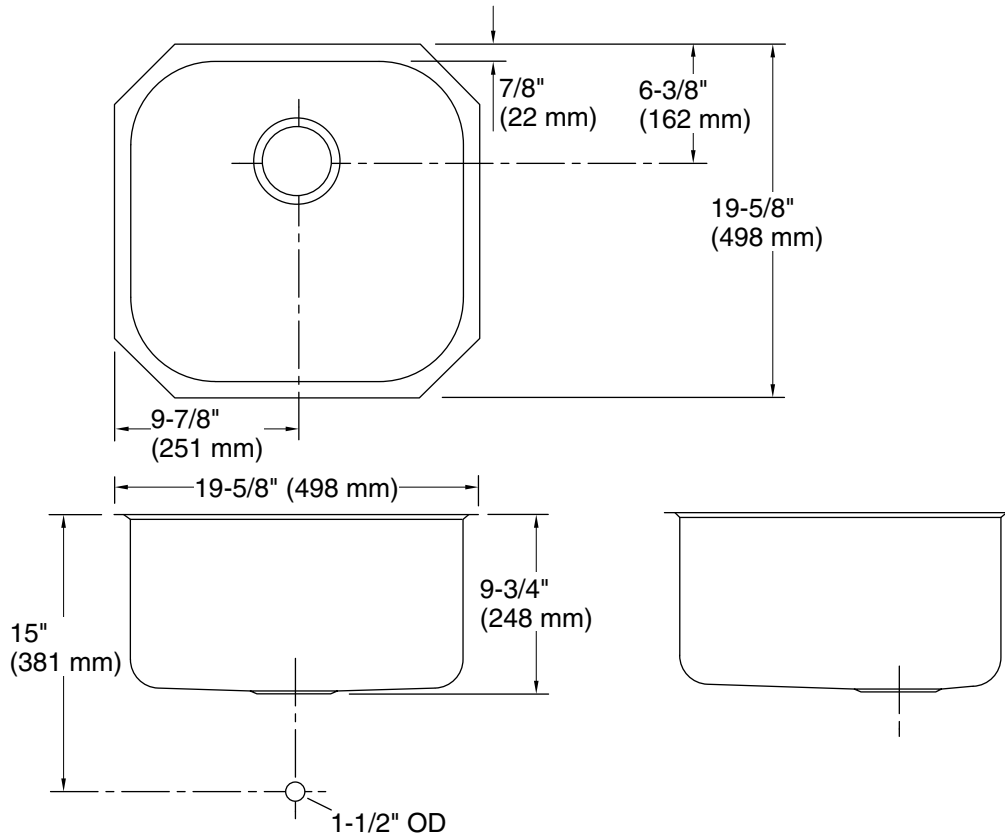


**Codes/Standards**

- ASME A112.19.3/CSA B45.4
- IAPMO Certification

**KOHLER® Stainless Steel Sinks  
Lifetime Limited Warranty**

See website for detailed warranty information.



### Technical Information

All product dimensions are nominal.

Basin configuration: Single Bowl

Min. base cabinet width: 24" (610 mm)

Bowl area (Only): Length: 17-7/8" (454 mm)  
Width: 17-7/8" (454 mm)  
Bowl depth: 9-1/2" (241 mm)

Drain hole: 3-5/8" (92 mm)

Template: 113196-7, required, included

### Notes

Install this product according to the installation instructions.