



Anthem™ EvoCycle™ | K-33476

60" x 36" alcove shower base, right drain

Features

- Three-sided integral flange
- Requires KOHLER® Anthem™ EvoCycle™ smart shower system, showerhead, handshower, and shower hose (each sold separately)



1-800-4KOHLER (1-800-456-4537)
Kohler Co. reserves the right to make revisions without notice to product specifications.
For the most current specification sheet, go to www.kohler.com USA or www.kohler.ca Canada.
4-15-2026 2:59 - US-CA

THE BOLD LOOK
OF **KOHLER**®

Codes/Standards

CSA B45.5/IAPMO Z124

Technical Information

All product dimensions are nominal.

Drain Location:	Right
Drain Hole Diameter:	3-3/8" (86 mm)
Threshold Height:	5-7/8 (148.59 mm)
Weight:	47.6 lbs (21.6 kg)

Material

- Acrylic
-

Required Products/Accessories

- K-33481 Smart shower system

or

- K-33482 Smart shower system
-

Warranty

See website for detailed warranty information.

KOHLER® Plastic Baths and Shower Bases Lifetime Limited Warranty

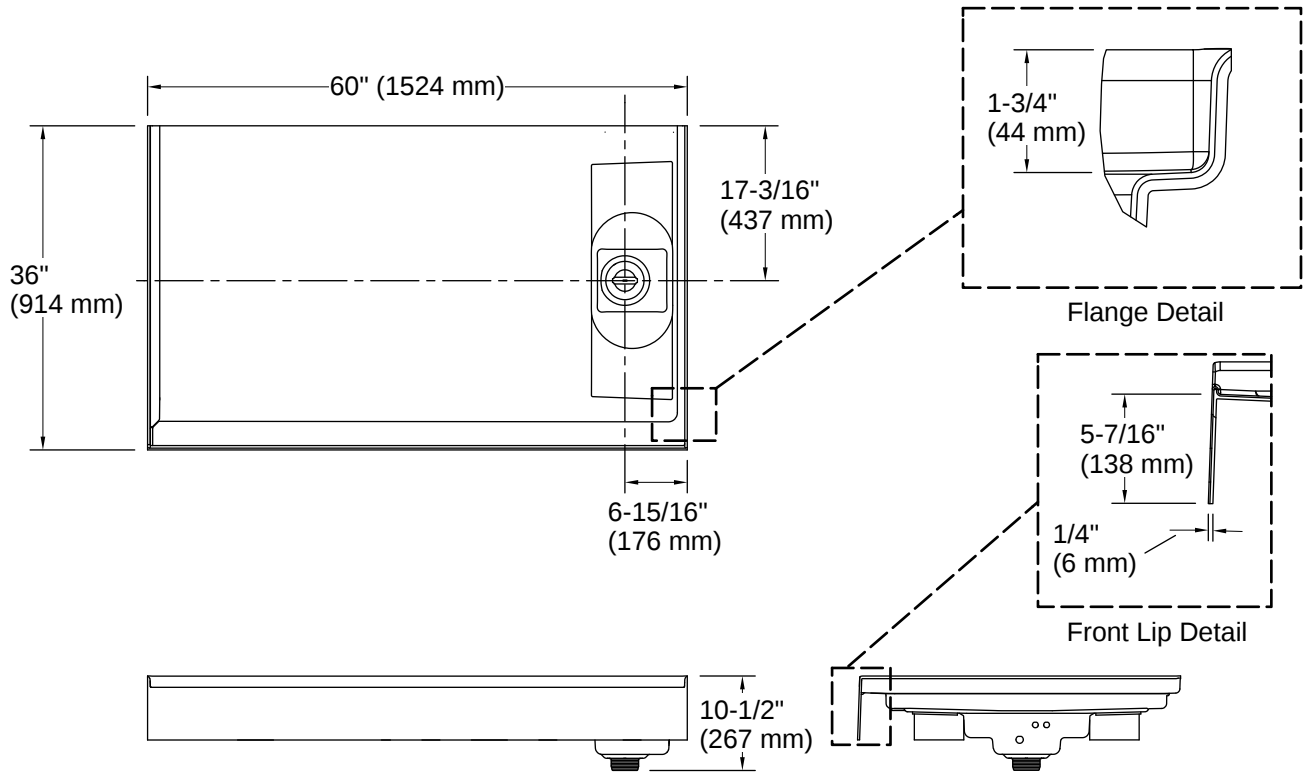


1-800-4KOHLER (1-800-456-4537)

Kohler Co. reserves the right to make revisions without notice to product specifications.

For the most current specification sheet, go to www.kohler.com USA or www.kohler.ca Canada.

4-15-2026 2:59 - US-CA



Installation

- Alcove
- Right drain
- Requires minimum of 4-1/2" (114 mm) clearance below subfloor
- Requires 8-1/2" x 10-1/2" (216 x 267 mm) sump cutout
- For residential use only

Installation Notes

Install this product according to the installation instructions.

Measure your actual product for rough-in details.

