



# Anthem™ EvoCycle™ | K-33480

48" x 32" alcove shower base, right drain

## Features

- Three-sided integral flange
- Requires KOHLER® Anthem™ EvoCycle™ smart shower system, showerhead, handshower, and shower hose (each sold separately)



---

## Codes/Standards

CSA B45.5/IAPMO Z124

---

## Technical Information

*All product dimensions are nominal.*

Drain Location:	Right
Drain Hole Diameter:	3-3/8" (86 mm)
Threshold Height:	5-7/8 (148.59 mm)
Weight:	34.29 lbs (15.6 kg)

---

## Material

- Acrylic
- 

## Required Products/Accessories

- K-33481 Smart shower system

or

- K-33482 Smart shower system
- 

## Warranty

*See website for detailed warranty information.*

KOHLER® Plastic Baths and Shower Bases Lifetime Limited Warranty

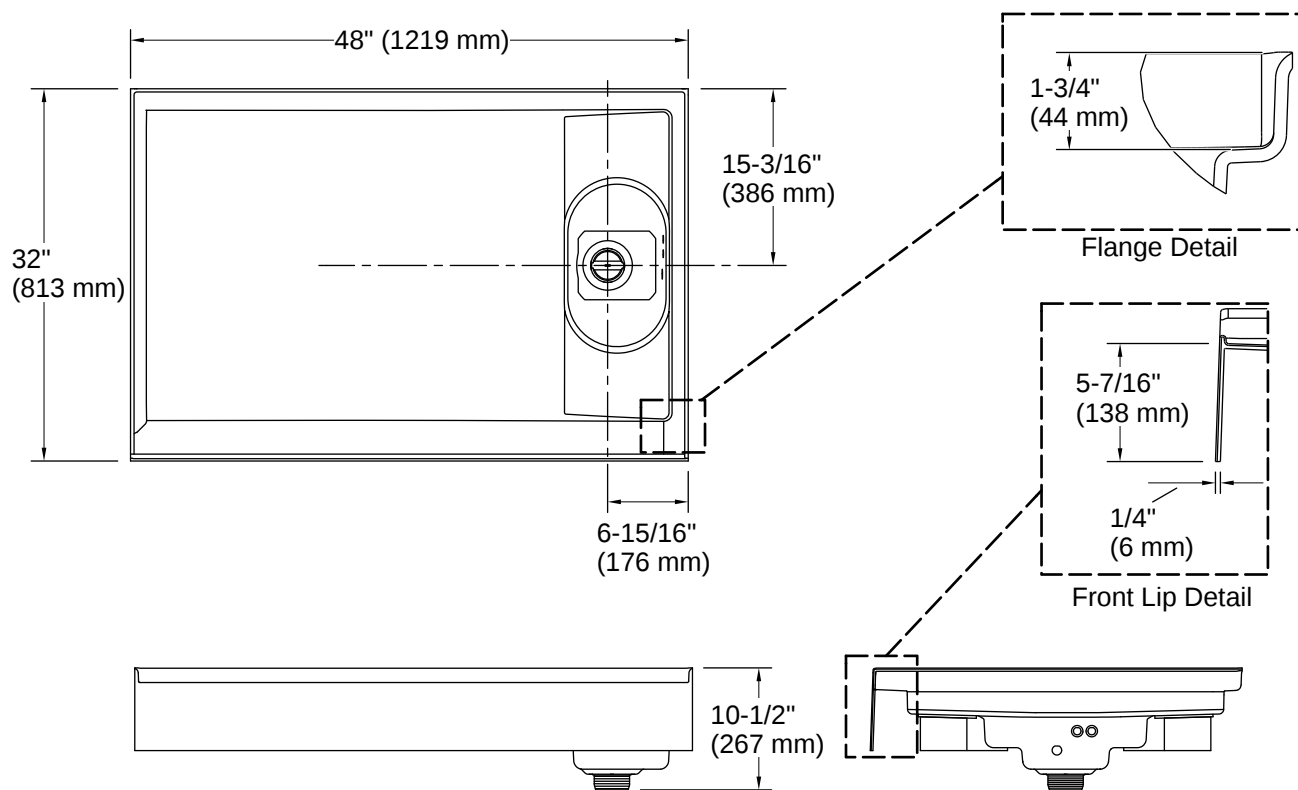


1-800-4KOHLER (1-800-456-4537)

Kohler Co. reserves the right to make revisions without notice to product specifications.

For the most current specification sheet, go to [www.kohler.com](http://www.kohler.com) USA or [www.kohler.ca](http://www.kohler.ca) Canada.

4-15-2026 2:59 - US-CA



## Installation

- Alcove
- Right drain
- Requires minimum of 4-1/2" (114 mm) clearance below subfloor
- Requires 8-1/2" x 10-1/2" (216 x 267 mm) sump cutout
- For residential use only

## Installation Notes

*Install this product according to the installation instructions.*

Measure your actual product for rough-in details.

