

## Features

- Two full-extension 12-3/4" (325 mm) drawers with soft-close side-mount slides
- 18" (457 mm) cabinet interior with two shelves provides ample storage space
- Three-way adjustable slow-close door hinges for easy cabinet access
- Finish-matched cabinet interior
- Customize your storage with optional accessories such as floor liners, drawer organizers, and perfectly sized containers (sold separately)

## Material

- Solid wood and moisture-resistant MDF
- Painted exterior

## Installation

- Easy installation – no special tools required

## Required Products/Accessories

K-33558 4" cabinet pull



## Codes/Standards

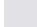

EPA TSCA Title VI/CARB P2

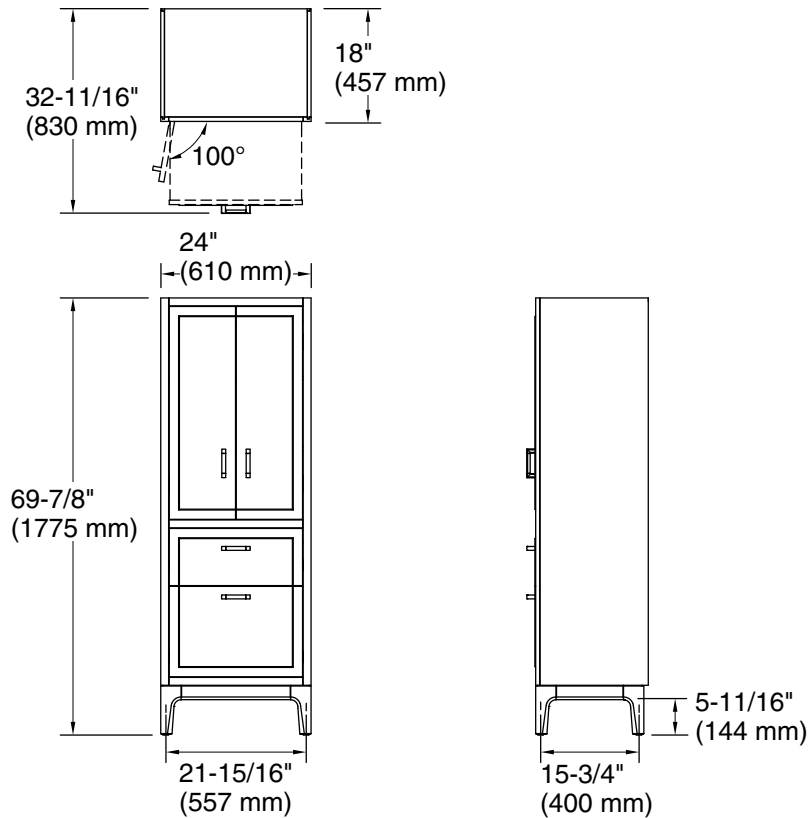
## KOHLER® One-Year Limited Warranty

See website for detailed warranty information.

## Available Colors/Finishes

*Color tiles intended for reference only.*

| Color   | Code | Description |
|---|------|-------------|
|  | 0    | White       |
|  | 1WT  | Mohair Grey |



## Technical Information

All product dimensions are nominal.

## Notes

Install this product according to the installation instructions.