

## Features

- Fits minimum 45" (1143 mm) apron sink base cabinet
- Single extra-large bowl
- 10" (254 mm) depth provides generous workspace
- Right rear drain placement increases workspace in the sink and storage space underneath
- Rounded 3/8" (10 mm) corners are easy to clean
- All included accessories nest neatly together for easy storage when not in use
- SilentShield® sound-absorption technology offers quieter performance
- Included accessories: cutting board, drain board, colander / drying rack, soaking bin with drain, two stainless steel bottom sink racks, drain cover
- Sink drain and strainer sold separately



## Material

- Premium 16-gauge stainless steel

## Installation

- Undermount
- Installation hardware and templates included

## Recommended Products/Accessories

- K-35484 Three-piece workstation sink prep bowl set
- K-35487 Three-piece ice bucket set
- K-35488 Ice bucket holder
- K-35489 HDPE cutting board
- K-35491 Marble serving tray
- K-35485 Workstation sink cover

## Optional Products/Accessories

- K-8801 Sink drain and strainer with tailpiece
- K-11352 Disposal Flange with Stopper
- K-23729 Stainless steel cleaner
- K-35492 Bar sink cover

## Included Components

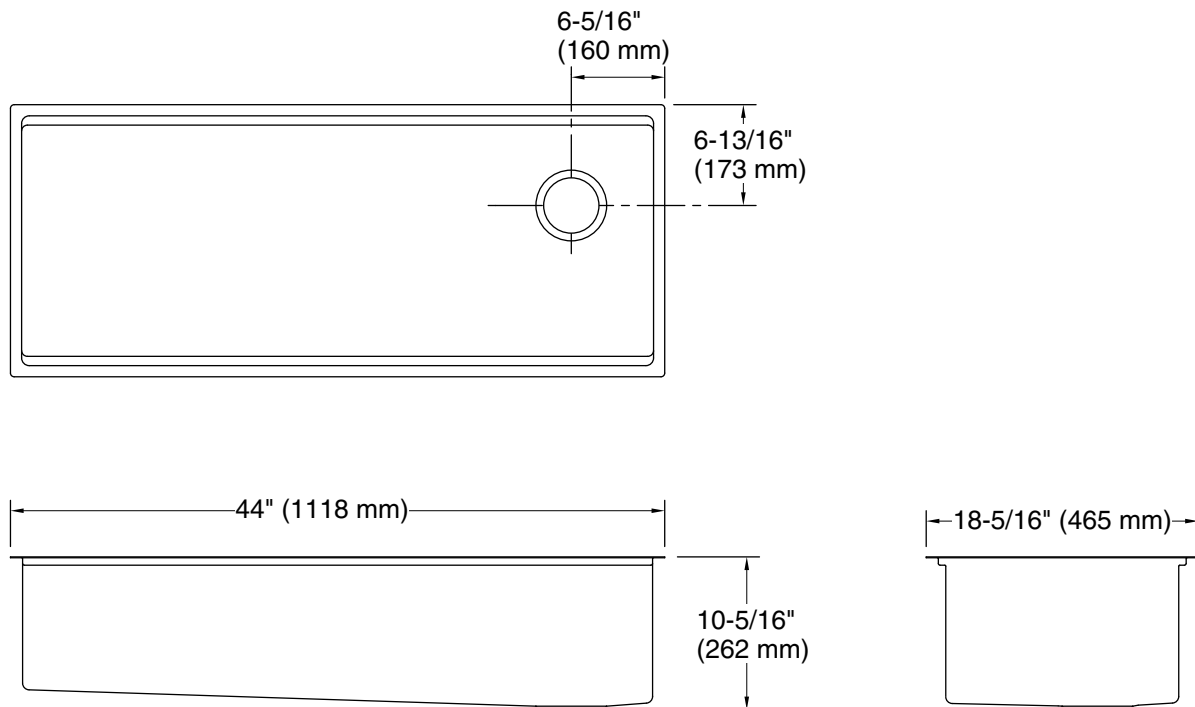
- K-33671 Sink rack
- K-35478 Three-piece workstation sink accessory set
- K-35480 Hardwood cutting board
- K-35482 Drain cover

## Codes/Standards

ASME A112.19.3/CSA B45.4

## KOHLER® Stainless Steel Sinks Lifetime Limited Warranty

See website for detailed warranty information.



## Technical Information

All product dimensions are nominal.

Basin configuration: Single Bowl

Min. base cabinet width: 45" (1143 mm)

Bowl area (Basin #1):  
Length: 42-1/4" (1073 mm)  
Width: 15-9/16" (395 mm)  
Bowl depth: 10" (253 mm)  
Water depth: 10" (253 mm)

Drain hole: 3-3/4" (94 mm)

Template: Undermount, 1564889-7, required, included

## Notes

Install this product according to the installation instructions.

"NOTICE: Countertop manufacturer or cutter must use the cut-out template provided with the product, or a current one provided by Kohler Co. (call 1-800-4KOHLER). Kohler Co. is not responsible for cutout errors when the incorrect cut-out template is used."