

Features

- Mirror with LED lighting elevates your bathroom experience
- Approx. 3000 – 6500 Kelvin (exterior frame) and 4000 Kelvin (inside door) light appearances deliver a neutral light ideal for overall bathroom aesthetics as well as tasks
- Minimum 90 CRI (color rendering index) lets you see yourself in the truest light for makeup application, grooming, and skin care
- Touch-control bar integrated within frame design
- Sensor-activated lighting turns on when it detects user presence and off when it detects no motion
- Built-in dimmer
- Three-way adjustable slow-close hinges with 125° opening capability for easy cabinet access
- Defogging feature ensures reflection visibility — even in high humidity
- Custom compartments for holding makeup brushes and other makeup items
- Electrical outlet allows users to plug in hair stylers and other grooming tools
- One adjustable tempered-glass shelf
- One partially sliding utility bar shelf



Codes/Standards

UL 962
CSA C22.2 No. 250.0
EPA TSCA Title VI/CARB P2

KOHLER® One-Year Limited Warranty

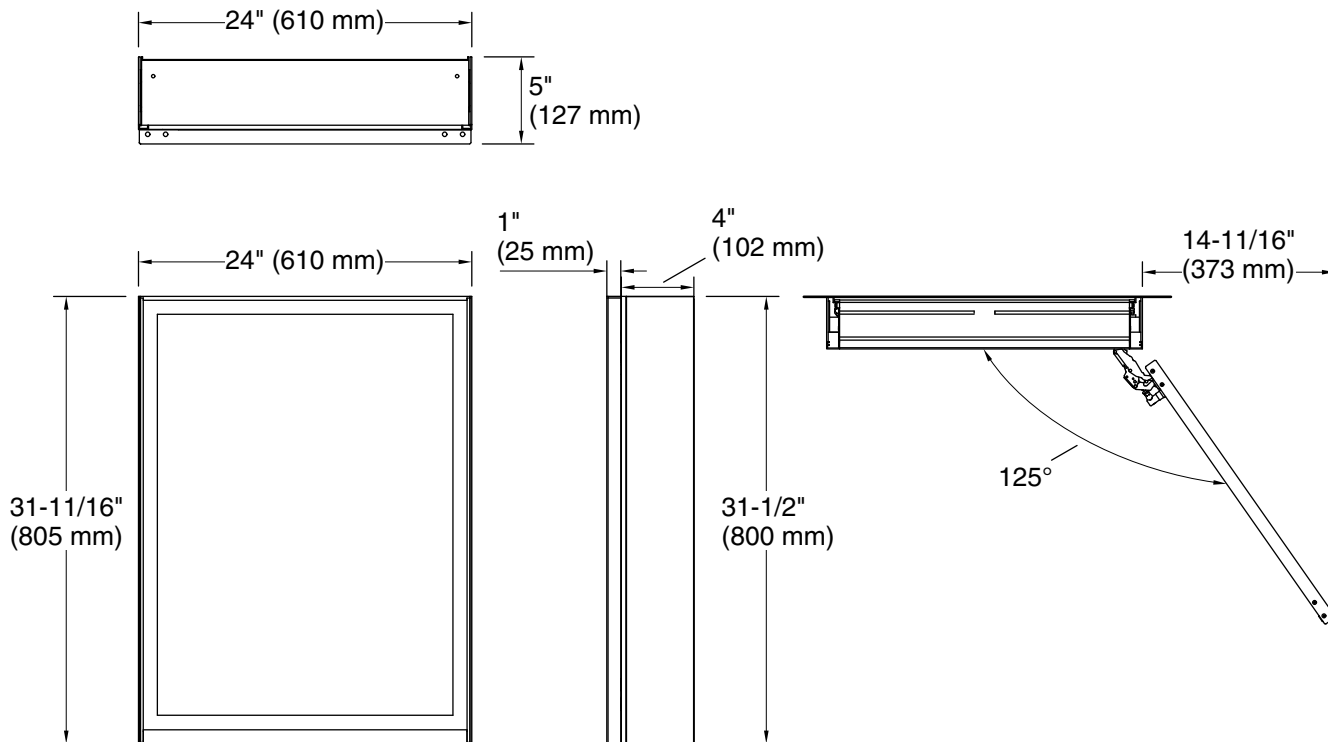
See website for detailed warranty information.

Material

- Black anodized aluminum frame

Installation

- Right-hand swing
- Includes mounting hardware for surface installation
- Recommend professional electrician installation



Required Electrical Service

One circuit required, protected with Class A Ground-Fault Circuit-Interrupter (GFCI). Outside North America, this device may be known as a Residual Current Device (RCD).

Lights, Defogger, 120 V, 0.46 A, 60 Hz
Controller module:

Technical Information

All product dimensions are nominal.

Electrical component rating:
LED: 1.5 A, 36 W
Defogger: 0.625 A, 15 W
Controller module: 0.04 A, 1 W

Notes

Install this product according to the installation instructions.

Cutout for recess-mount installation:
23-1/2" (597 mm) width 30-3/4" (781 mm)
height 4" (102 mm) depth.

IMPORTANT! For recess mounting, the wall cavity must be framed and cabinet secured to framing studs. Reroute any electrical wires or water supply piping from the wall cavity. If you encounter drain or vent piping, or if your wall is load-bearing, consult a professional before proceeding.

CAUTION: Risk of property damage. For surface mounting, use anchors (not provided) rated for the loaded weight of this product. Refer to the anchor manufacturer's instructions.

When determining the height of the medicine cabinet, ensure the mirrored door will clear all obstacles (such as a faucet). A minimum distance of 3" (76 mm) is required.