

Features

- Two adjustable tempered-glass shelves offer additional bathroom storage
- Mirrored interior
- Three-way adjustable slow-close hinges with 92° opening capability for easy cabinet access
- Vertically adjustable 3x magnifying mirror on inside of door
- Convenient tip-out drawer for storing smaller, frequently used items

Material

- Black anodized aluminum frame

Installation

- Right-hand swing
- Surface-mount or recessed
- Includes mounting hardware for surface or recessed installation

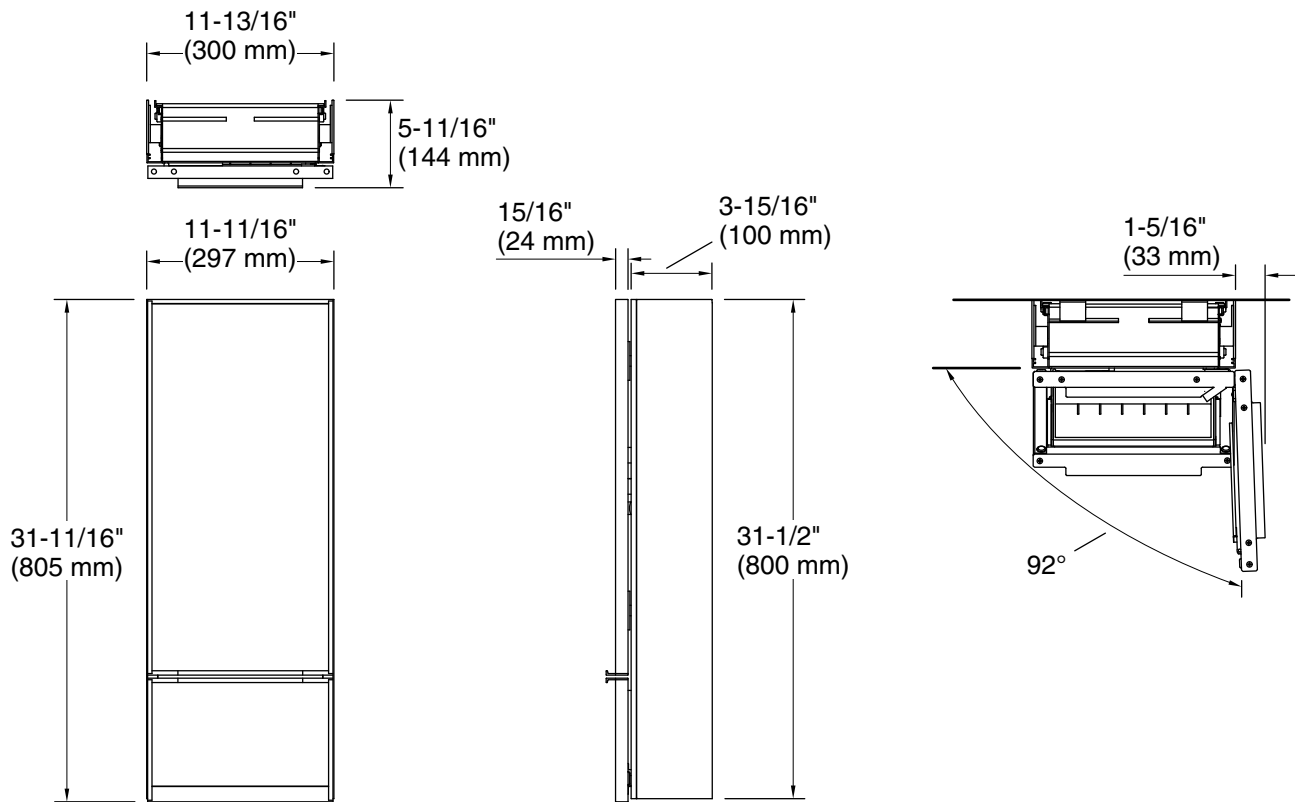


Codes/Standards

EPA TSCA Title VI/CARB P2

KOHLER® One-Year Limited Warranty

See website for detailed warranty information.



Technical Information

All product dimensions are nominal.

Notes

Install this product according to the installation instructions.

Cutout for recess-mount installation:
11-1/16" (281 mm) width 30-3/4" (781 mm)
height 4" (102 mm) depth.

IMPORTANT! For recess mounting, the wall cavity must be framed and cabinet secured to framing studs. Reroute any electrical wires or water supply piping from the wall cavity. If you encounter drain or vent piping, or if your wall is load-bearing, consult a professional before proceeding.

CAUTION: Risk of property damage. For surface mounting, use anchors (not provided) rated for the loaded weight of this product. Refer to the anchor manufacturer's instructions.

When determining the height of the medicine cabinet, ensure the mirrored door will clear all obstacles (such as a faucet). A minimum distance of 3" (76 mm) is required.