



Corbelle® | K-33813-RA

Tall two-piece elongated toilet with skirted trapway, 1.28 gpf

Features

- Two-piece design
- Elongated bowl offers added room and comfort
- Tall height offers seating 2-1/2" (63.5 mm) higher than Comfort Height® for enhanced comfort, ease of sitting and standing, and gracious accessibility
- 1.28 gpf (4.8 lpf)
- Right-hand Polished Chrome trip lever
- 2-1/8" (54 mm) glazed trapway
- Revolution 360® flushing technology generates a forceful swirling motion to keep the bowl clean longer
- Fully skirted trapway simplifies cleaning
- Sanitary guard where bowl and tank meet for ease of cleaning
- Encapsulated bolts prevent rust and corrosion
- Patented ReadyLock® installation system, a simple solution for skirted toilets, saves time, hassle, and eliminates the need to drill into the floor for standard 12" (305 mm) rough-in
- CleanCoat™ surface treatment inhibits the growth of water scale and mineral stains for improved ease of cleaning
- AquaPiston® canister optimizes the flow out of the tank, harnessing gravity and the natural, powerful reducing cascade of water to increase the power and effectiveness of the flush



Sustainability



Available Colors/Finishes

Color tiles intended for reference only.

- | | |
|----|-------------|
| 0 | White |
| 96 | Biscuit |
| NY | Dune |
| 95 | Ice Grey |
| 7 | Black Black |
| 97 | Timberline |



1-800-4KOHLER (1-800-456-4537)

Kohler Co. reserves the right to make revisions without notice to product specifications. For the most current specification sheet, go to www.kohler.com USA or www.kohler.ca Canada. 5-30-2026 23:14 - US-CA

THE BOLD LOOK
OF **KOHLER**

Codes/Standards

Accessibility standards may require controls to be located on the open side of the toilet.

Plumbing codes may require elongated toilets and elongated, open-front seats in public bathrooms.



ASME A112.19.2/CSA B45.1
DOE - Energy Policy Act 1992
EPA WaterSense®
California Energy Commission (CEC)

Warranty

See website for detailed warranty information.

KOHLER® Toilets and Seats Limited Warranty

Technical Information

Rough-in:	Standard 12" (305mm)
Flush Type:	AquaPiston, Revolution 360
Flush Rate:	1.28 gpf (4.8 lpf)
Bowl Shape:	Elongated
Waste Outlet:	Floor
Trapway Size:	2-1/8" (54 mm)
Trapway Type:	Skirted
Water Surface Size:	9-3/4" x 7-1/4" (248 mm x 184 mm)
Rim to Water Surface:	6-1/4" (159 mm)

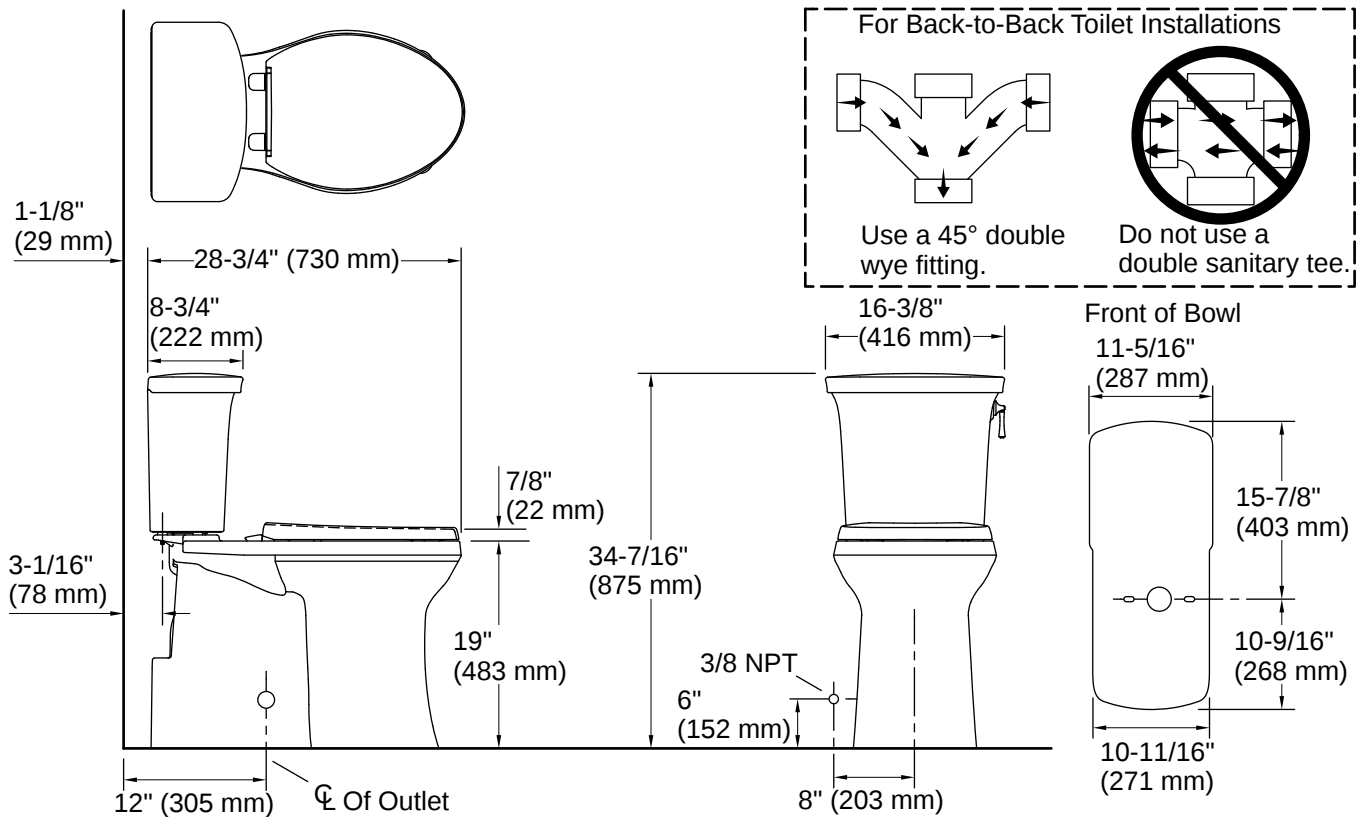
Included Combo Skus

- K-4143-RA Toilet tank, 1.28 gpf
- K-33812 Tall elongated toilet bowl with skirted trapway

Recommended Products/Accessories

- K-20120-R Right-hand trip lever
- K-27331 ReadyLatch® Quiet-Close™ elongated toilet seat
- K-4108 Elongated bidet toilet seat with remote control
- K-5383 10" rough-in full skirt trap and attachment system
- K-5381 14" rough-in full skirt trap and attachment system





Installation

- Three-bolt quick-connect installation
- Standard 12" (305 mm) rough-in
- 10" and 14" (254 mm and 356 mm) rough-in kits also available
- Seat and supply line sold separately

Installation Notes

Install this product according to the installation instructions.

Product dimensions are nominal and may vary per ASME A112.19.2 tolerances.

