

### Features

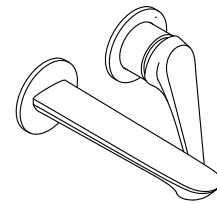
- Versatile, contemporary design
- Single Lever handle allows for on/off activation, volume, and temperature control
- Red/blue indexing on handle
- 6-11/16" (170 mm) spout reach
- 2.2 gpm (8.3 lpm) maximum flow rate at 60 psi (4.14 bar)
- Aerated flow
- Clicker drain with 1-1/4" (32 mm) tailpiece

### Material

- Premium material construction for durability and reliability
- KOHLER® finishes resist corrosion and tarnishing

### Installation

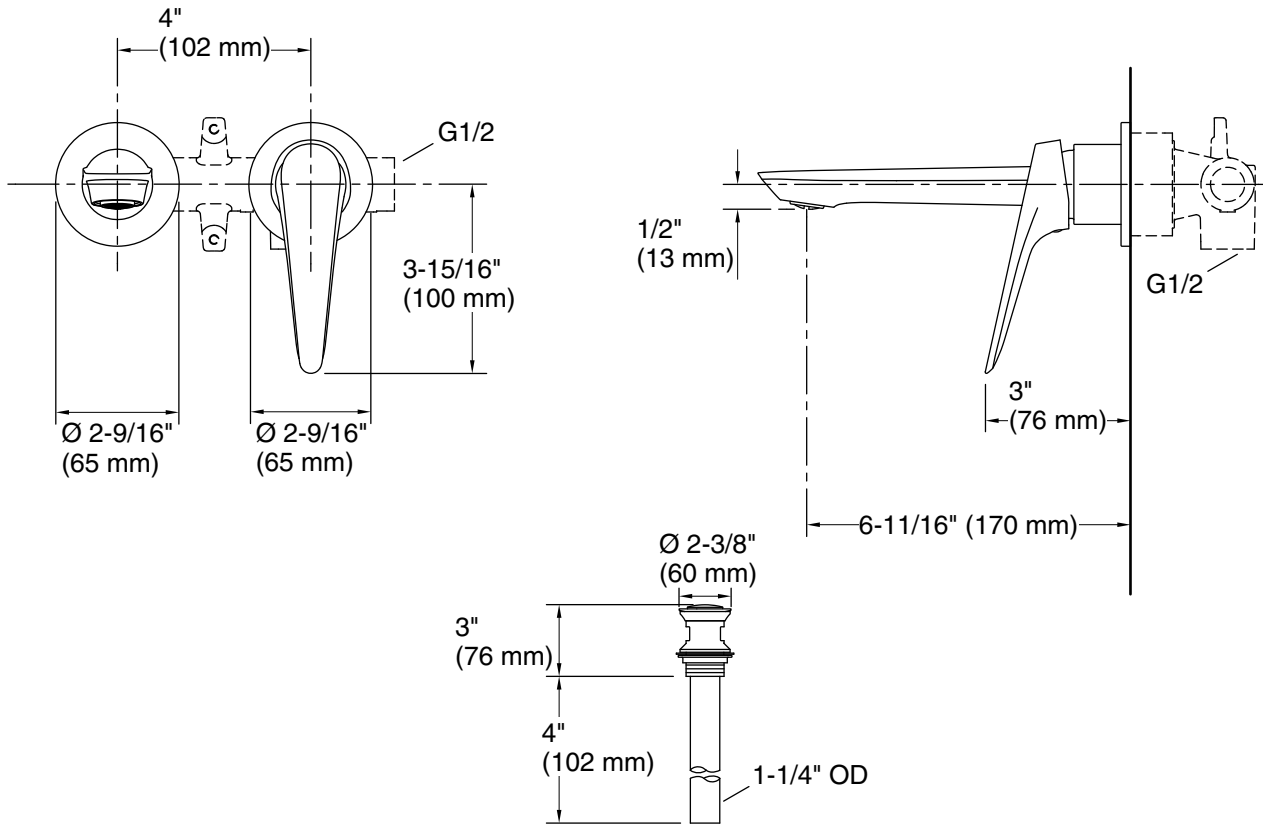
- Wall-mount
- Trim only; requires valve to complete installation (sold separately)



### Codes/Standards

Plumbing Standards  
GB 18145

See website for detailed warranty information.



**Technical Information**

All product dimensions are nominal.

Drain included: Yes

Drain with overflow: Yes

**Notes**

Install this product according to the installation guide.