

Features

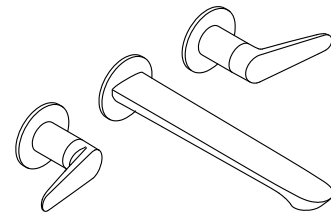
- Versatile, contemporary design
- Two Lever handles offer separate control of hot and cold water
- Red/blue indexing on handles
- 8-3/4" (222 mm) spout reach
- 2.2 gpm (8.3 lpm) maximum flow rate at 60 psi (4.14 bar)
- Aerated flow
- Clicker drain with 1-1/4" (32 mm) tailpiece

Material

- Premium material construction for durability and reliability
- KOHLER® finishes resist corrosion and tarnishing

Installation

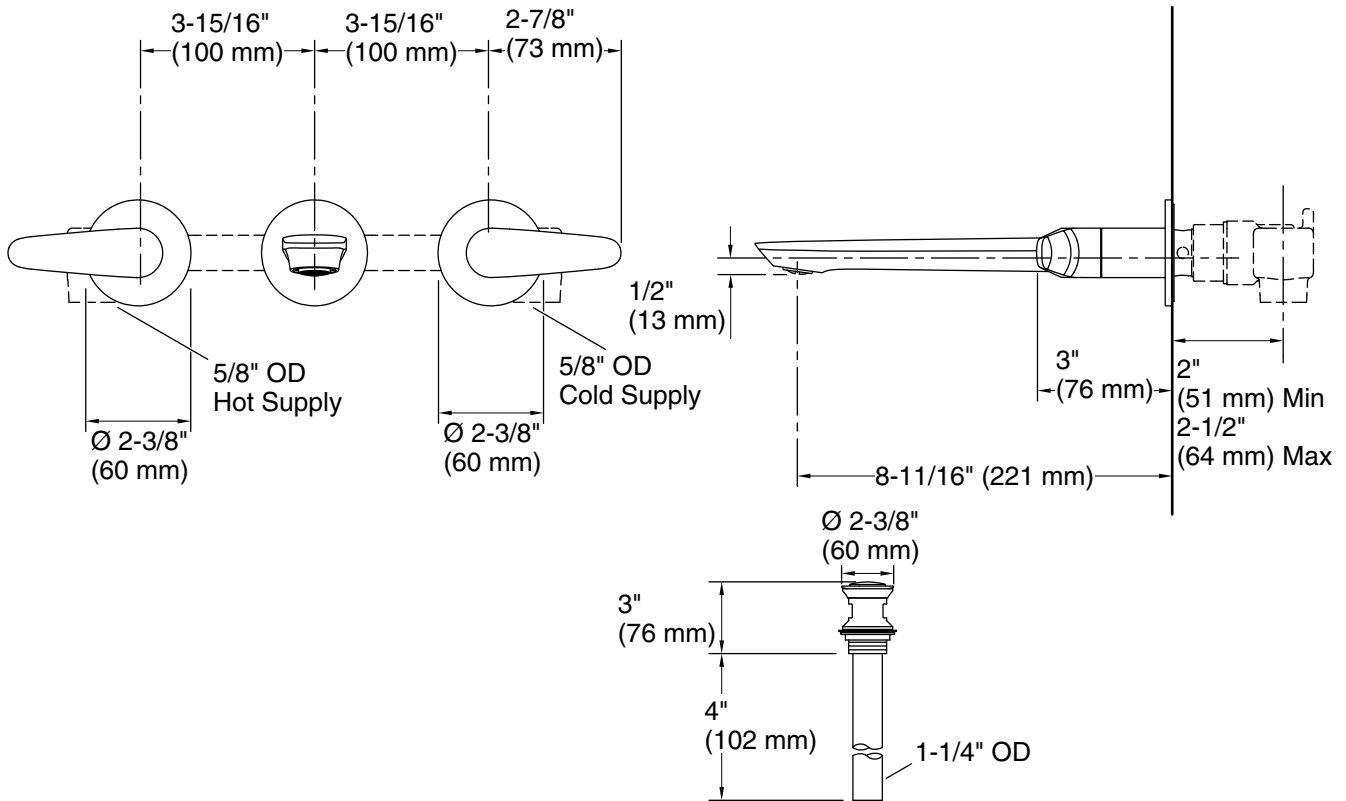
- Wall-mount
- Three-hole installation
- Trim only; requires valve to complete installation (sold separately)



Codes/Standards

Plumbing Standards
GB 18145

See website for detailed warranty information.



Technical Information

All product dimensions are nominal.

Drain included: Yes

Drain with overflow: Yes

Notes

Install this product according to the installation guide.