

Features

- Robust steel frame
- Minimal noise as water fills in
- Large flush actuator opening; remove faceplate for easy access to inner tank
- Pneumatic component initiates a smooth flush
- Pneumatic flush module allows faceplate to be installed up to 13' (4 m) away from tank
- Dual-flush technology allows you to choose between a full or partial flush
- Adjust in-wall tank for dual-flush options of 0.53 or 0.95 gpf (2.0 or 3.6 lpf), 0.53 or 1.1 gpf (2.0 or 4.0 lpf), and 0.8 or 1.6 gpf (3.0 or 6.0 lpf)
- Blow molding ensures sturdy single body construction to prevent leaks
- In-wall tank, half frame, and dual-flush actuator only; requires wall-hung bowl, dual-flush faceplate, and seat (sold separately)

Installation

- Supply line sold separately

Required Products/Accessories

K-5413IN-P Dual-flush faceplate

or

K-75890IN-P Dual-flush faceplate

or

K-24149IN-F Dual-flush faceplate



Codes/Standards

None Applicable

KOHLER® Toilets and Seats Limited Warranty

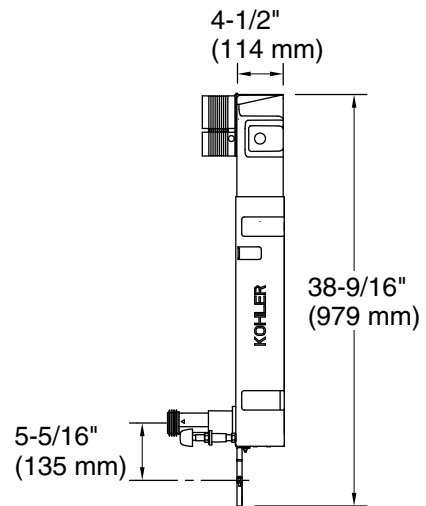
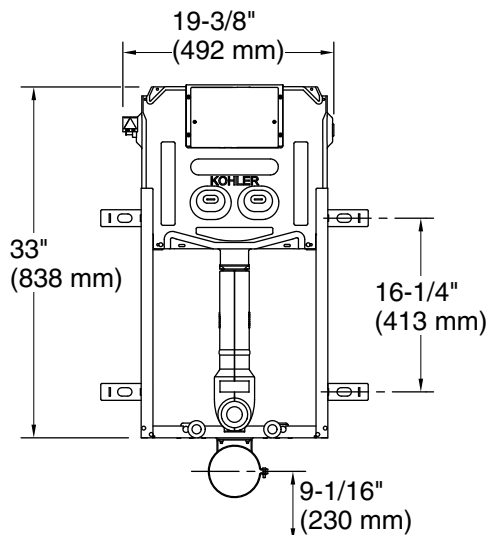
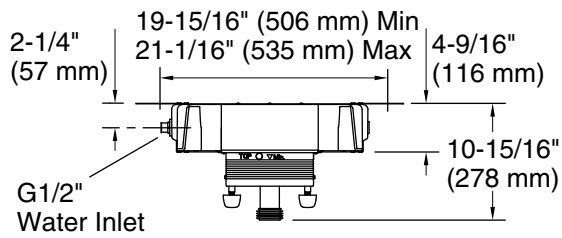
See website for detailed warranty information.

Available Colors/Finishes

Color tiles intended for reference only.

Color	Code	Description
-------	------	-------------

	0	White
---	---	-------



Technical Information

All product dimensions are nominal.

Toilet type: In-wall mount

Flush type: Pneumatic

Rough-in: 10" (254 mm)

Notes

Install this product according to the installation instructions.

Operating Pressure : 0.3 bar - 10 bar (1.0 to 5.5 bar is recommended with clear, nonaggressive water supply).

High Pressure leakage Test (During Installation) : 24 hours @ 10 Bar