

### Features

- Robust steel frame
- Minimal noise as water fills in
- Large flush actuator opening; remove faceplate for easy access to inner tank
- Mechanical flush valve for standard push-button actuation
- Dual-flush technology allows you to choose between a full or partial flush
- Adjust in-wall tank for dual-flush options of 0.53 or 0.95 gpf (2.0 or 3.6 lpf), 0.53 or 1.1 gpf (2.0 or 4.0 lpf), and 0.8 or 1.6 gpf (3.0 or 6.0 lpf)
- Blow molding ensures sturdy single body construction to prevent leaks
- Adjustable height allows bowl to be set anywhere between 2.36 - 9.84 inches (60 - 250 mm)
- Durable steel frame carrier is installed on studs inside the wall. See installation guide for more detailed information
- In-wall tank, frame, and dual-flush actuator only; requires wall-hung bowl, dual-flush faceplate, and seat (sold separately)

### Installation

- When installed per Kohler installation instructions, the KOHLER in-wall tank and carrier system can support up to 880 lb (400 kg) without damage
- Supply line sold separately

### Required Products/Accessories

K-75891IN-M Dual-flush faceplate

or

K-5413IN-M Dual-flush faceplate

or

K-75890IN-M Dual-flush faceplate

or

K-28475IN-M Dual-flush faceplate



### Codes/Standards

None Applicable

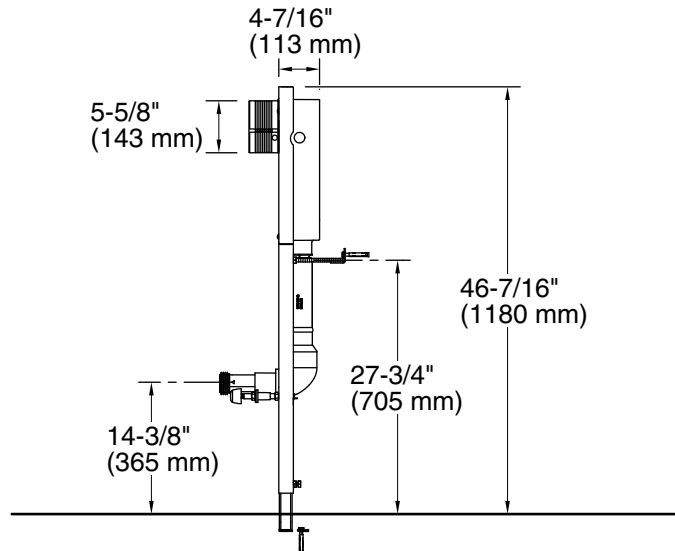
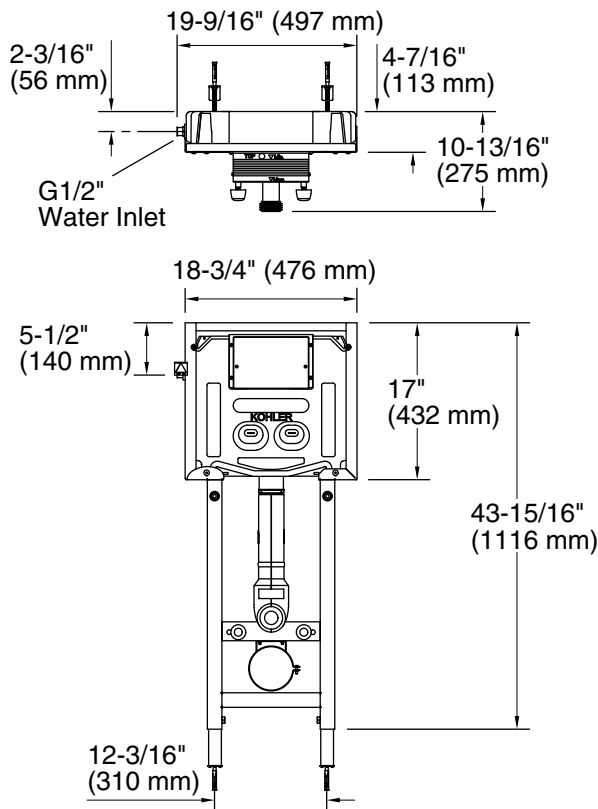
See website for detailed warranty information.

### Available Colors/Finishes

*Color tiles intended for reference only.*

| Color | Code | Description |
|-------|------|-------------|
|-------|------|-------------|

|                                                                                     |   |       |
|-------------------------------------------------------------------------------------|---|-------|
|  | 0 | White |
|-------------------------------------------------------------------------------------|---|-------|



### Technical Information

All product dimensions are nominal.

Toilet type: In-wall mount

Flush type: Mechanical

Rough-in: 10" (254 mm)

### Notes

Install this product according to the installation instructions.

Operating Pressure : 0.3 bar - 10 bar (1.0 to 5.5 bar is recommended with clear, non-aggressive water supply).

High Pressure leakage Test (During Installation) : 24 hours @ 10 Bar