

Features

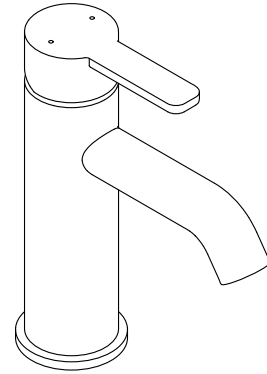
- Single handle provides on/off activation, volume, and temperature control
- 3-1/2" (90 mm) spout height
- 4-5/16" (110 mm) spout reach
- 2.2 gpm (8.3 lpm) maximum flow rate at 60 psi (4.14 bar)
- KOHLER® ceramic disc valves exceed industry longevity standards for a lifetime of durable performance
- Coin aerator is easy to remove for maintenance
- Includes pop-up drain with lift rod

Material

- Premium metal construction for durability and reliability
- KOHLER® finishes resist corrosion and tarnishing

Installation

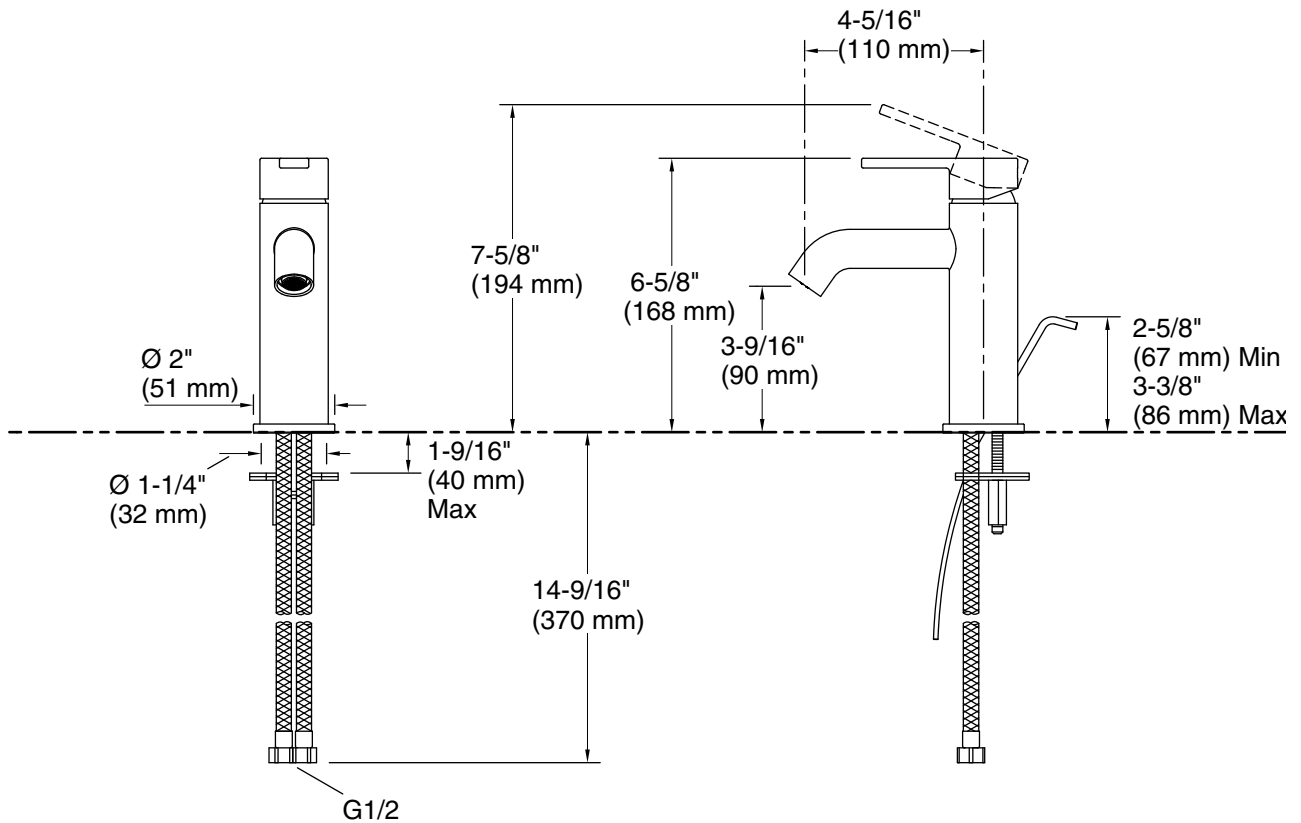
- Single hole
- Supply lines included



Codes/Standards

Plumbing Standards
TIS 2067-2552

See website for detailed warranty information.



Technical Information

All product dimensions are nominal.

Faucet:

Flow rate: 2.2 gal/min (8.3 l/min)

Drain included: Yes

Drain with overflow: Yes

Notes

Install this product according to the installation guide.