

### Features

- Elongated bidet toilet seat and lid
- Curved seat design enhances ergonomic comfort
- Low-profile design
- Choose between side cord or hidden cord design to conceal bidet seat cords
- Front and rear wash modes for cleansing
- Adjust water spray pressure using the convenient side handle
- Manually operated handle requires no batteries or electrical power
- Quiet-Close™ functionality to prevent seat from slamming
- Quick-Release™ functionality allows seat to be removed easily from toilet for convenient cleaning
- Grip-Tight bumpers hold seat firmly in place
- Bidet nozzle with antimicrobial agent inhibits growth of odor-causing bacteria, mold, and mildew. This product does not protect users against bacteria, viruses, or other disease organisms. Always clean and wash this product thoroughly before and after each use
- Supply line included

### Material

- Plastic seat

### Installation

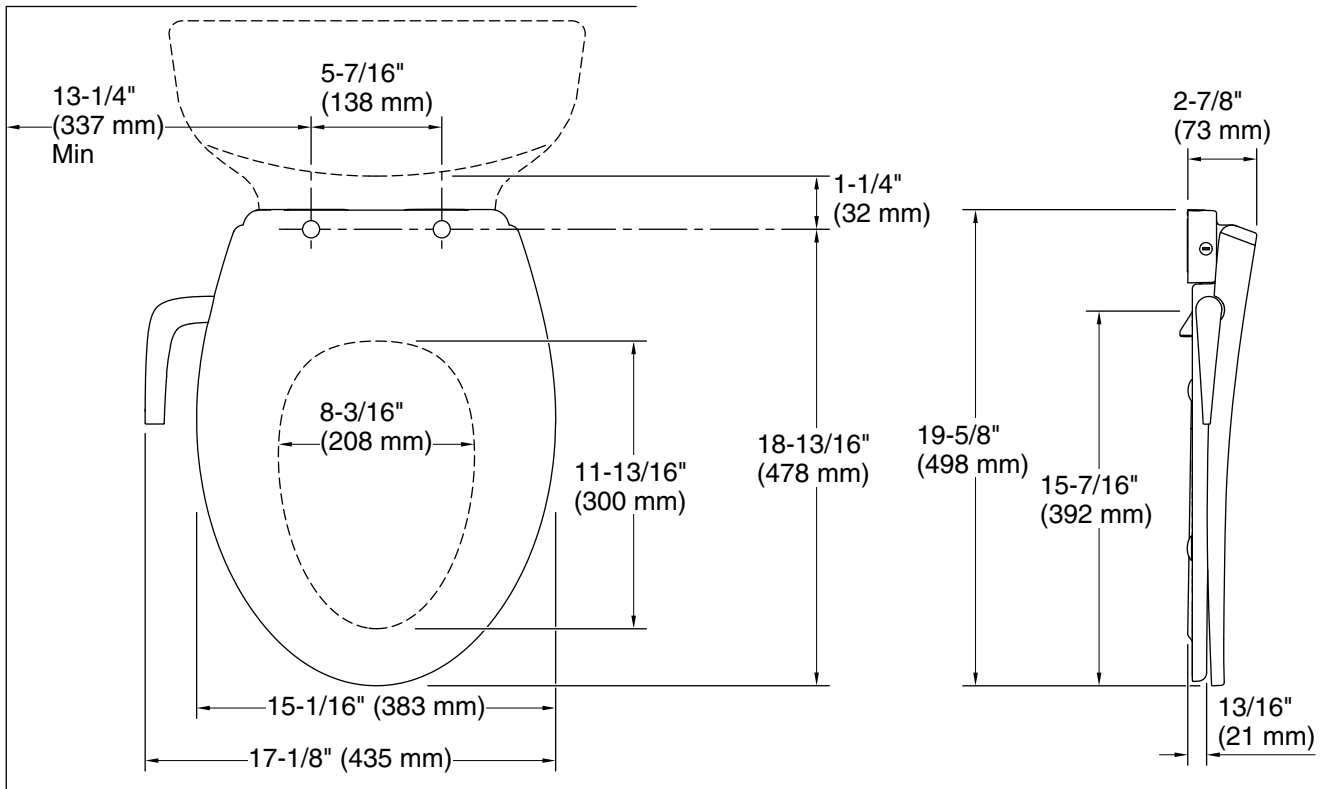
- Requires connection to toilet water supply line. All hoses and connections are included



### Codes/Standards

None Applicable

See website for detailed warranty information.



### Technical Information

All product dimensions are nominal.

Seat shape type:	Elongated
Seat front type:	Closed-front
Seat-mounting holes:	5-7/16" (138 mm)

### Notes

Install this product according to the installation guide.

**WARNING:** Risk of scalding. High water temperature can cause severe burns. Do not connect this device to a water supply with a maximum temperature above 104°F (40°C). Only connect the seat to a cold water supply of drinking quality water at a pressure of 20 (139 kPa) - 80 psi (551 kPa).

Locate the receptacle at least 6" (152 mm) above the floor, and within a 32" (813 mm) radius measured 2" (51 mm) from the bowl ledge.