



# Wellworth® Classic

Two-piece elongated toilet, 1.6 gpf  
K-3505

## Features

- Elongated bowl offers added room and comfort
- Equipped with Sloan FLUSHMATE® – Sloan® Valve Company
- 1.6 gpf (6.0 lpf)
- 12" x 10" (305 mm x 254 mm) water surface
- Left-hand Polished Chrome trip lever

## Installation

- Seat and supply line sold separately
- Standard 12" (305 mm) rough-in

## Recommended Products/Accessories

- K-5588 Purefresh® Deodorizing elongated toilet seat
- K-4108 PureWash® E750 Elongated bidet toilet seat with remote control
- K-5420 Low-Profile Bolt Caps

## Included Components

- K-4645 Toilet tank, 1.6 gpf
- K-4303 Elongated toilet bowl
- K-9481-L Left-hand trip lever for KOHLER® toilets



## Codes/Standards




ASME A112.19.2/CSA B45.1  
DOE - Energy Policy Act 1992  
IAPMO Certification

## KOHLER® One-Year Limited Warranty

See website for detailed warranty information.

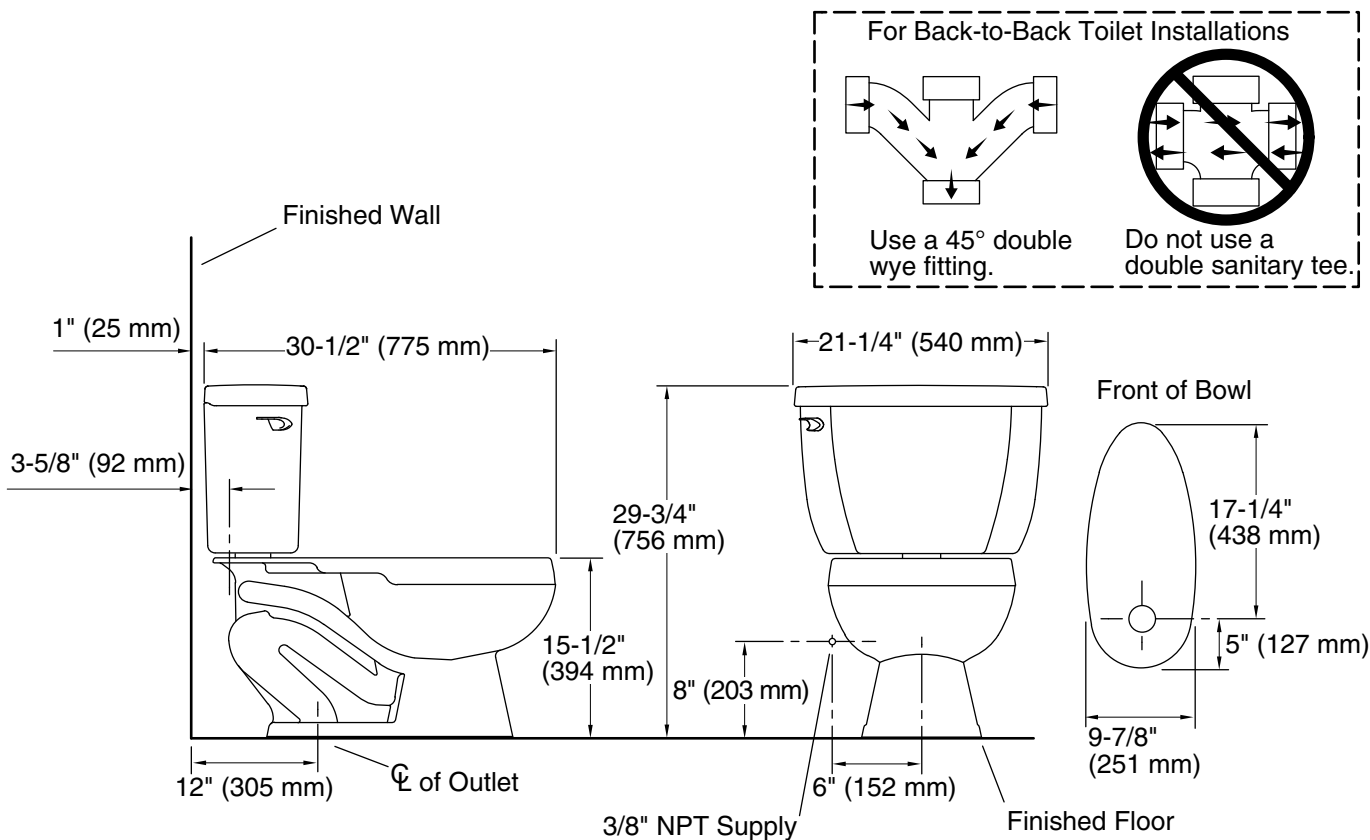
## Available Colors/Finishes

*Color tiles intended for reference only.*

Color	Code	Description
	0	White
	96	Biscuit
	7	Black Black™



**Wellworth® Classic**  
Two-piece elongated toilet, 1.6 gpf  
**K-3505**



**Technical Information**

All product dimensions are nominal.

- Toilet type: Floor-mount
- Waste Outlet: Floor
- Bowl shape: Elongated
- Flush type: Pressure Lite
- Trap passageway: 2-1/4" (57 mm)
- Water surface size: 12" x 10" (305 mm x 254 mm)
- Rim to water surface: 5-5/8" (143 mm)
- Rough-in: 12" (305 mm)
- Seat-mounting holes: 5-1/2" (140 mm)

**Fixture Supply Requirements**

- Min static pressure: 20 psi (137.9 kPa)
- Max static pressure: 80 psi (551.6 kPa)

**Notes**

Install this product according to the installation instructions.  
For back-to-back toilet installations: Use only a 45° double wye fitting.