

## Features

- Designed to cover any standard kitchen sink drain
- Prevents items from falling into garbage disposal without hampering water flow to drain
- Stainless steel finish coordinates perfectly with stainless steel sinks and faucets

## Material

- Stainless steel and durable ABS plastic

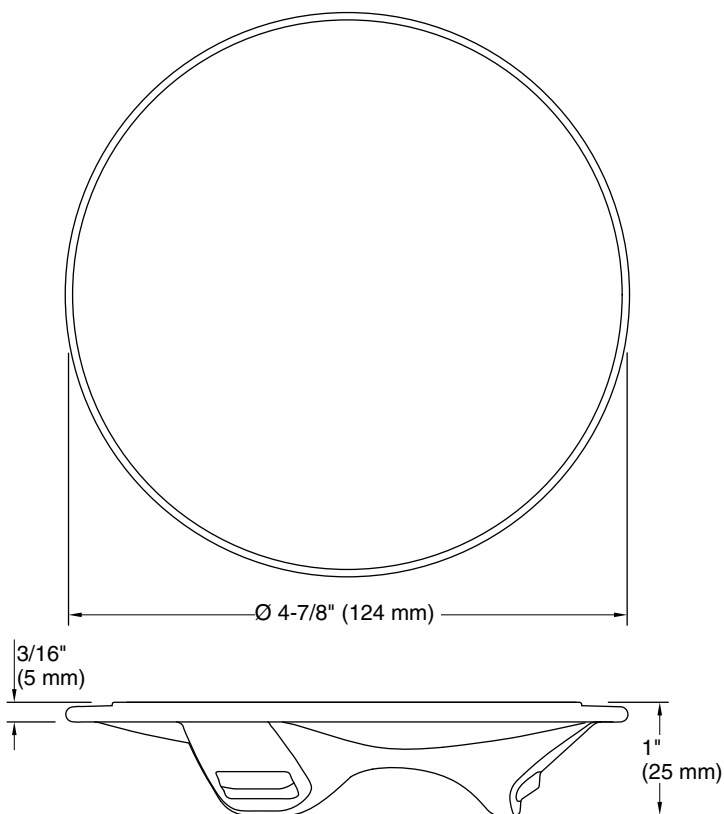


## Codes/Standards

None Applicable

## KOHLER® One-Year Limited Warranty

See website for detailed warranty information.



## Technical Information

All product dimensions are nominal.

Material: Stainless Steel, Plastic

## Notes

Install this product according to the installation instructions.