



Barrington™

Two-piece elongated toilet, 1.6 gpf
K-3554-T

Features

- Elongated bowl offers added room and comfort
- Equipped with Sloan FLUSHMATE® – Sloan® Valve Company
- Polished Chrome trip lever
- Tank cover locks included
- Rear outlet
- 4" (102 mm) rough-in
- 1.6 gpf (6.0 lpf)

Installation

- Seat and supply line sold separately

Recommended Products/Accessories

- K-5588 Purefresh® Deodorizing elongated toilet seat
- K-4108 PureWash® E750 Elongated bidet toilet seat with remote control
- K-5420 Low-Profile Bolt Caps

Included Components

- K-4327 Elongated toilet bowl
- K-4645-T Toilet tank, 1.6 gpf



Codes/Standards

- ASME A112.19.2/CSA B45.1
- DOE - Energy Policy Act 1992
- IAPMO Certification

KOHLER® One-Year Limited Warranty

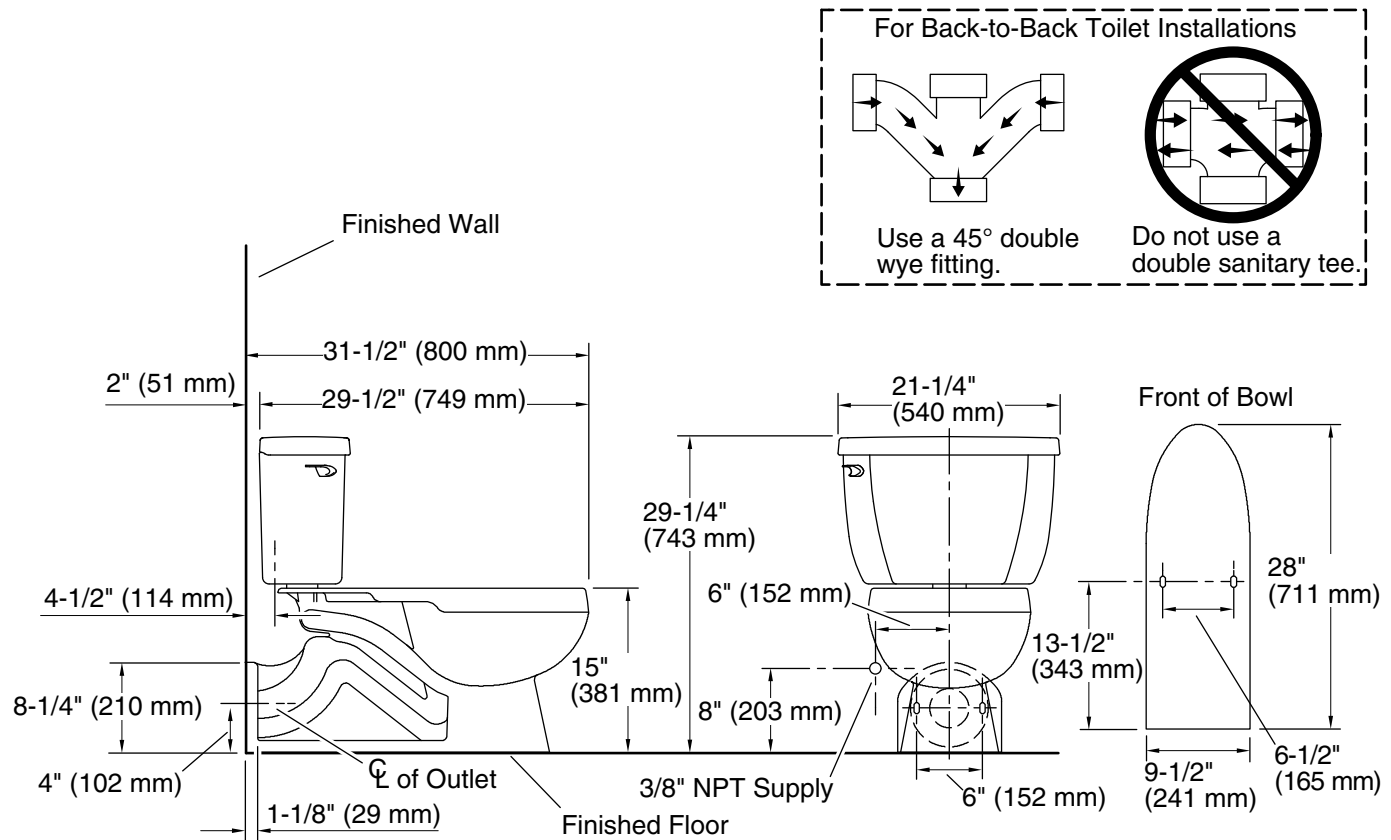
See website for detailed warranty information.

Available Colors/Finishes

Color tiles intended for reference only.

Color	Code	Description
-------	------	-------------

	0	White
---	---	-------



Technical Information

All product dimensions are nominal.

Toilet type:	Floor-mount
Waste Outlet:	Wall
Bowl shape:	Elongated
Flush type:	Pressure Lite
Trap passageway:	2-1/4" (57 mm)
Water surface size:	12" x 10" (305 mm x 254 mm)
Rim to water surface:	7" (178 mm)
Rough-in:	4" (102 mm)
Seat-mounting holes:	5-1/2" (140 mm)

Fixture Supply Requirements

Min static pressure:	20 psi (137.9 kPa)
Max static pressure:	80 psi (551.6 kPa)

Notes

Install this product according to the installation instructions.

For back-to-back toilet installations: Use only a 45° double wye fitting.