



Verdera® | K-35571-NFC

24" x 34" oval medicine cabinet

Features

- Front mirror, inside door mirror, and back panel mirror provide superior visibility to make grooming easier
- Two adjustable tempered-glass shelves offer additional bathroom storage
- Half-shelf adjustable accessory shelf for additional storage
- Hinges have 110° opening capability
- Box includes: Assembled mirrored cabinet, side panel kit, installation hardware



Available Colors/Finishes

Color tiles intended for reference only.

^{NA} NA Not Applicable



1-800-4KOHLER (1-800-456-4537)
Kohler Co. reserves the right to make revisions without notice to product specifications.
For the most current specification sheet, go to www.kohler.com USA or www.kohler.ca Canada.
5-30-2026 22:7 - US-CA

THE BOLD LOOK
OF **KOHLER**®

Codes/Standards

None Applicable

Technical Information

All product dimensions are nominal.

Lighting Included:	No
Mirror Type:	Polished Edge
Cutout Depth:	4-3/4" (121 mm)

Material

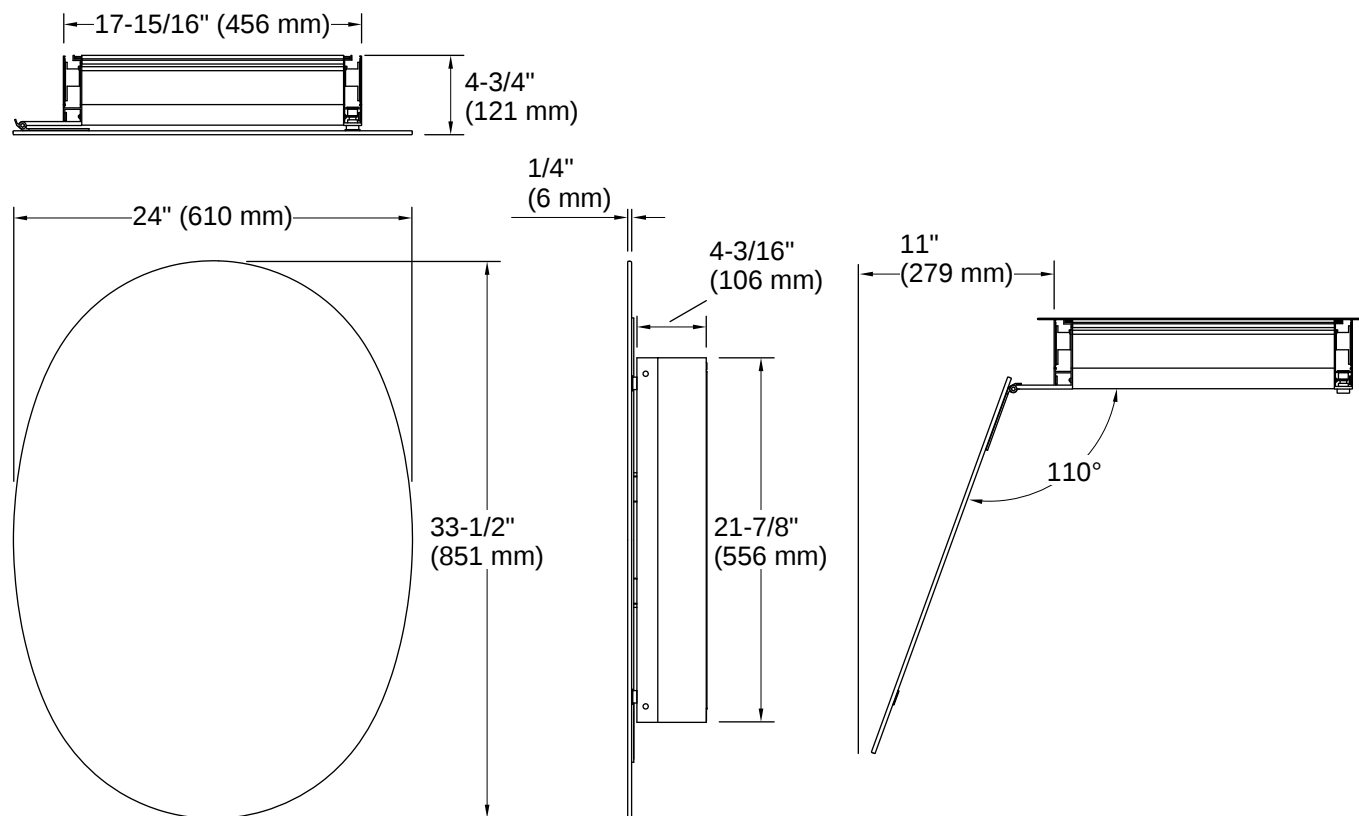
- Anodized aluminum construction with a durable rustproof and chip-resistant finish
 - KOHLER finishes resist corrosion and tarnishing
-

Warranty

See website for detailed warranty information.

KOHLER® One-Year Limited Warranty





Installation

- Surface-mount or recessed
- Can be installed with left- or right-hand swing

Installation Notes

Install this product according to the installation instructions.

