

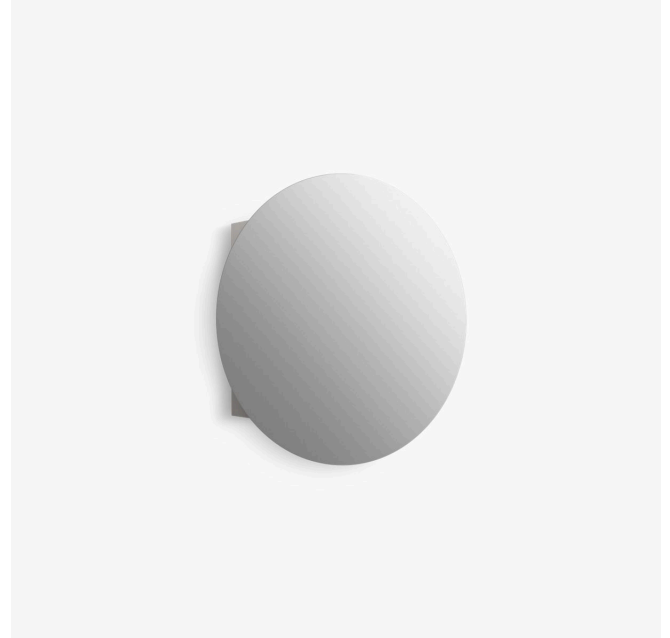


# Verdera® | K-35572-NFC

24" round medicine cabinet

## Features

- Front mirror, inside door mirror, and back panel mirror provide superior visibility to make grooming easier
- One adjustable tempered-glass shelf
- Half-shelf adjustable accessory shelf for additional storage
- Hinges have 110° opening capability
- Box includes: Assembled mirrored cabinet, side panel kit, installation hardware



## Available Colors/Finishes

*Color tiles intended for reference only.*

<sup>NA</sup> NA Not Applicable



1-800-4KOHLER (1-800-456-4537)  
Kohler Co. reserves the right to make revisions without notice to product specifications.  
For the most current specification sheet, go to [www.kohler.com](http://www.kohler.com) USA or [www.kohler.ca](http://www.kohler.ca) Canada.  
5-30-2026 22:16 - US-CA

THE BOLD LOOK  
OF **KOHLER**®

---

## Codes/Standards

*None Applicable*

---

## Technical Information

*All product dimensions are nominal.*

Lighting Included:	No
Mirror Type:	Polished Edge
Cutout Depth:	4-3/4" (121 mm)

---

## Material

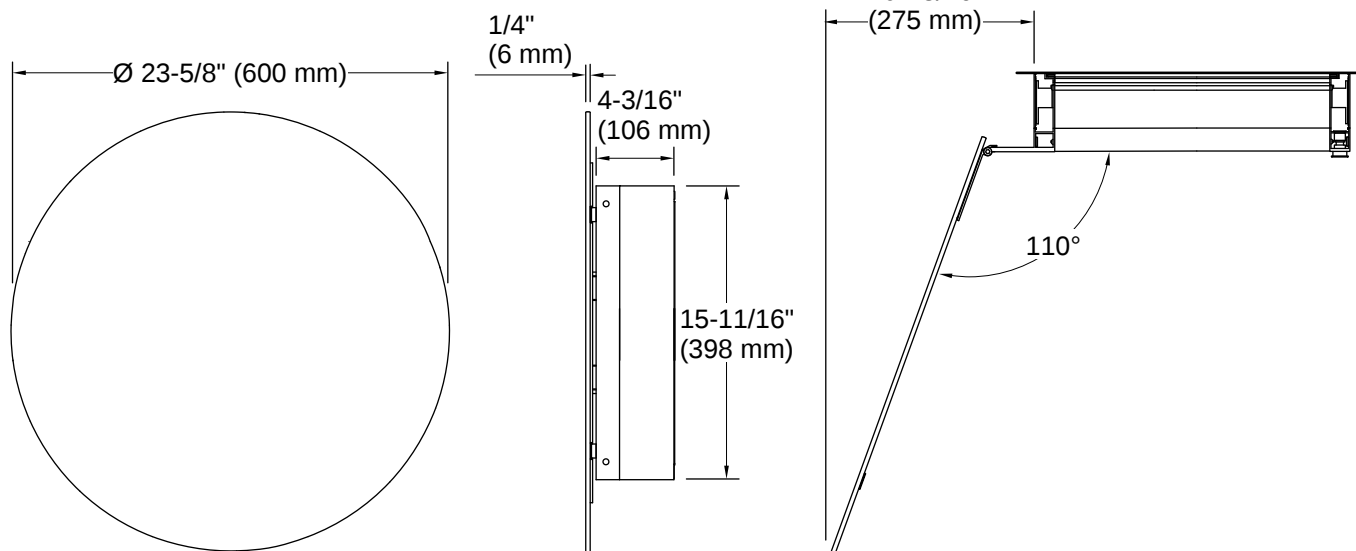
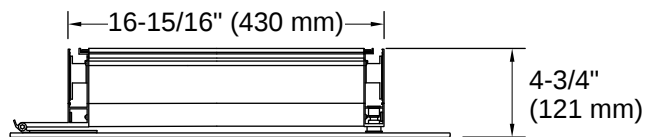
- Anodized aluminum construction with a durable rustproof and chip-resistant finish
  - KOHLER finishes resist corrosion and tarnishing
- 

## Warranty

*See website for detailed warranty information.*

KOHLER® One-Year Limited Warranty





Installation

- Surface-mount or recessed
- Can be installed with left- or right-hand swing

Installation Notes

*Install this product according to the installation instructions.*

