

## Features

- Fits most round-front toilets
- Each seat helps divert over 3 pounds of plastic from the waste stream
- Color, quality, and function of this seat is equivalent to a standard seat, the same level of quality expected from Kohler
- The seat and lid are made from 100% pre-consumer recycled plastic for a more sustainable solution (Excludes hinges and hardware)
- ReadyLatch® hinge provides a positive lock/unlock latch to securely hold seat in position, yet seat easily removes for cleaning or adjusting fit
- Quiet-Close™ round-front seat and lid prevent slamming
- Grip-Tight bumpers hold seat firmly in place
- Grip-Tight installation hardware makes it easy to fasten the seat – everything is done from above the bowl
- Contoured seat for user comfort
- Color-matched plastic hinges
- Toilet seats are not returnable to Kohler Co. if opened or outside of original packaging

## Material

- Plastic construction



## Codes/Standards

None Applicable


## KOHLER® Toilets and Seats Limited Warranty

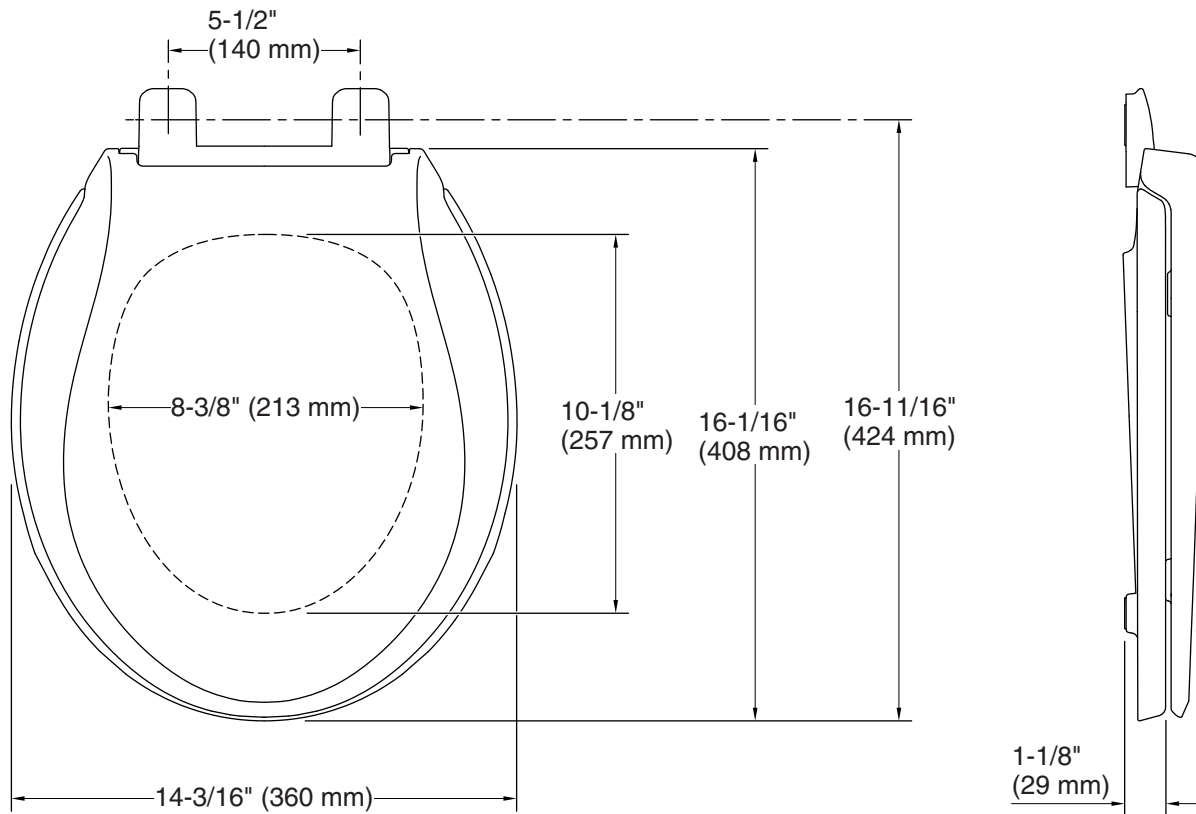
See website for detailed warranty information.

## Available Colors/Finishes

*Color tiles intended for reference only.*

Color	Code	Description
-------	------	-------------

	0	White
---	---	-------



### Technical Information

All product dimensions are nominal.

Seat shape type: Round-front  
Seat front type: Closed-front  
Seat-mounting holes: 5-1/2" (140 mm)

### Pressure/fixture Supply Requirements

### Notes

Install this product according to the installation instructions.