

Mach Flex™ | K-35605

Rough-in bracket for concealed touchless flushometer valve (optional)

Features

- For use with Mach Flex™ concealed touchless flushometers
- Three-piece adjustable bracket holds flushometer and tailpiece in correct position
- Provides in-wall support for flushometer and tailpiece
- Ensures dedicated space for product during installation and servicing



Codes/Standards

None Applicable

Material

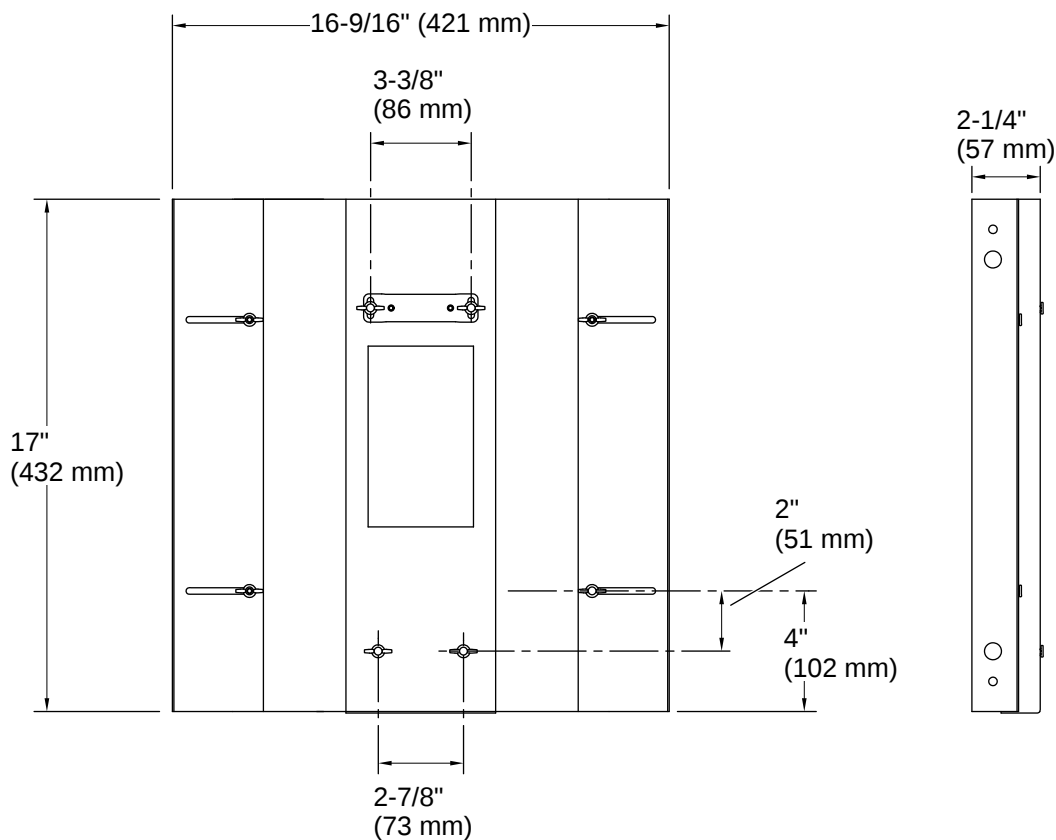
- Durable stainless steel construction
-

Warranty

See website for detailed warranty information.

KOHLER® One-Year Limited Warranty





Installation Notes

Install this product according to the installation instructions.

