

KOHLER®

San Raphael® One-piece elongated toilet, 1.0 gpf K-3597-NF

Features

- Elongated bowl offers added room and comfort
- Comfort Height® feature offers chair-height seating that makes sitting down and standing up easier for most adults
- One-piece toilets integrate the tank and bowl into a seamless, easy-to-clean design
- Includes seat and cover
- Equipped with Sloan FLUSHMATE® Pressure Vessel
- 1.0 gpf (3.8 lpf)
- 9" (229 mm) x 7" (178 mm) water area

Material

- Vitreous china

Installation

- Standard 12" (305 mm) rough-in

Recommended Products/Accessories

- K-7637 Angle Supply with Stop (single)
- K-4108 PureWash® E750 Elongated bidet toilet seat with remote control
- K-5420 Low-Profile Bolt Caps
- 1023457 Wax Ring/Hardware Kit
- 1265114 Connector Hose



ADA

CSA B651

OBC

Codes/Standards

ASME A112.19.2/CSA B45.1
DOE - Energy Policy Act 1992
EPA WaterSense®
ADA
ICC/ANSI A117.1
CSA B651
OBC
IAPMO Certification

KOHLER® Toilets and Seats Limited Warranty

See website for detailed warranty information.

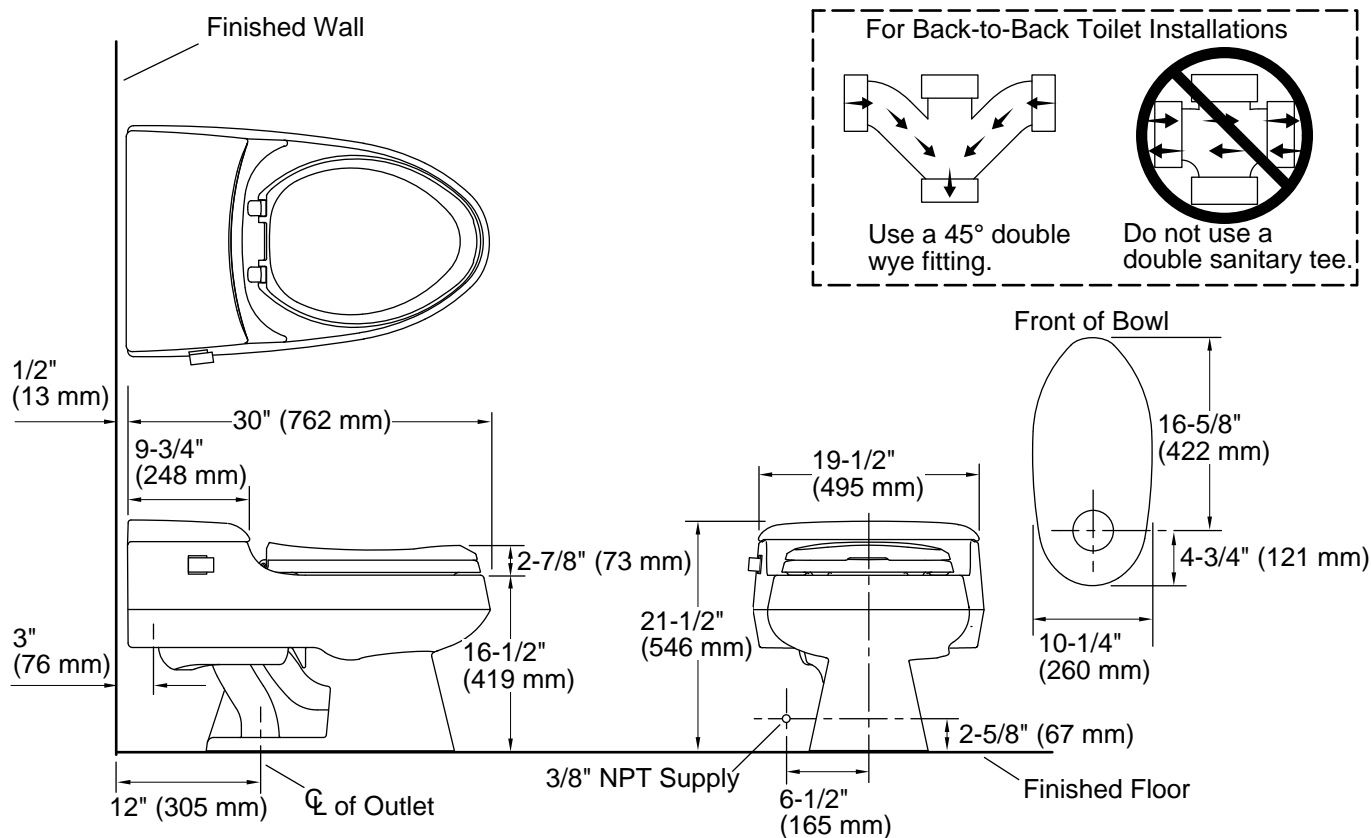
1-800-4KOHLER (1-800-456-4537)

Kohler Co. reserves the right to make revisions without notice to product specifications.

For the most current Specification Sheet, go to www.kohler.com USA or www.kohler.ca Canada

12-10-2024 20:31 - US/CA

THE BOLD LOOK
OF **KOHLER**®



Technical Information

All product dimensions are nominal.

Toilet type:	Floor-mount
Waste Outlet:	Floor
Bowl shape:	Elongated
Flush type:	Pressure Lite
Trap passageway:	2-1/8" (54 mm)
Water surface size:	9" x 7" (229 mm x 178 mm)
Rim to water surface:	5-7/8" (149 mm)
Rough-in:	12" (305 mm)
Seat-mounting holes:	5-1/2" (140 mm)

Fixture Supply Requirements

Min static pressure: 35 psi (241.3 kPa)

Notes

Install this product according to the installation instructions.

For back-to-back toilet installations: Use only a 45° double wye fitting.

ADA, OBC, CSA B651 compliant when installed to the specific requirements of these regulations.

Plumbing codes may require elongated toilets and elongated, open-front seats in public bathrooms.

Accessibility standards may require controls to be located on the open side of the toilet.