



# Anthem® Duo | K-36364

Two-outlet shower digital control

## Features

- Digital control with large temperature display and intuitive icons
- Precise temperature control for two shower outlets
- Easy-to-grip dial adjusts temperature and cycles through settings menu
- Eight user-definable presets allow you save your favorite shower settings
- Ice shower preset drops showerhead temperature to the coldest level for an invigorating experience
- System warm-up and pause features reduce water waste
- Eco mode limits total flow to 1.75 gpm (6.6 lpm) from one outlet for installations where water conservation or CEC compliance is desired
- Water usage appears on screen after each shower
- Available languages: English, Spanish, French, and Chinese



## Available Colors/Finishes

*Color tiles intended for reference only.*

- CP Polished Chrome
- SN Vibrant Polished Nickel
- AF Vibrant French Gold
- BN Vibrant Brushed Nickel
- BV Vibrant Brushed Bronze
- BL Matte Black
- 2MB Vibrant Brushed Moderne Brass
- BGP Brushed Graphite
- TT Vibrant Titanium



1-800-4KOHLER (1-800-456-4537)  
Kohler Co. reserves the right to make revisions without notice to product specifications.  
For the most current specification sheet, go to [www.kohler.com](http://www.kohler.com) USA or [www.kohler.ca](http://www.kohler.ca) Canada.  
5-30-2026 23:2 - US-CA

THE BOLD LOOK  
OF **KOHLER**

---

## Codes/Standards

*ADA compliant when installed to the specific requirements of these regulations.*

ADA

CSA C22.2 No. 14  
CSA C22.2 No. 68  
ADA  
ICC/ANSI A117.1

---

## Valves

Required Valve: Digital

---

## Material

- Premium metal dial for durability and reliability
- 

## Recommended Products/Accessories

K-28213 Remote on/off button for digital thermostatic valve

---

## Required Products/Accessories

- K-28209 Two-port digital thermostatic valve
- 

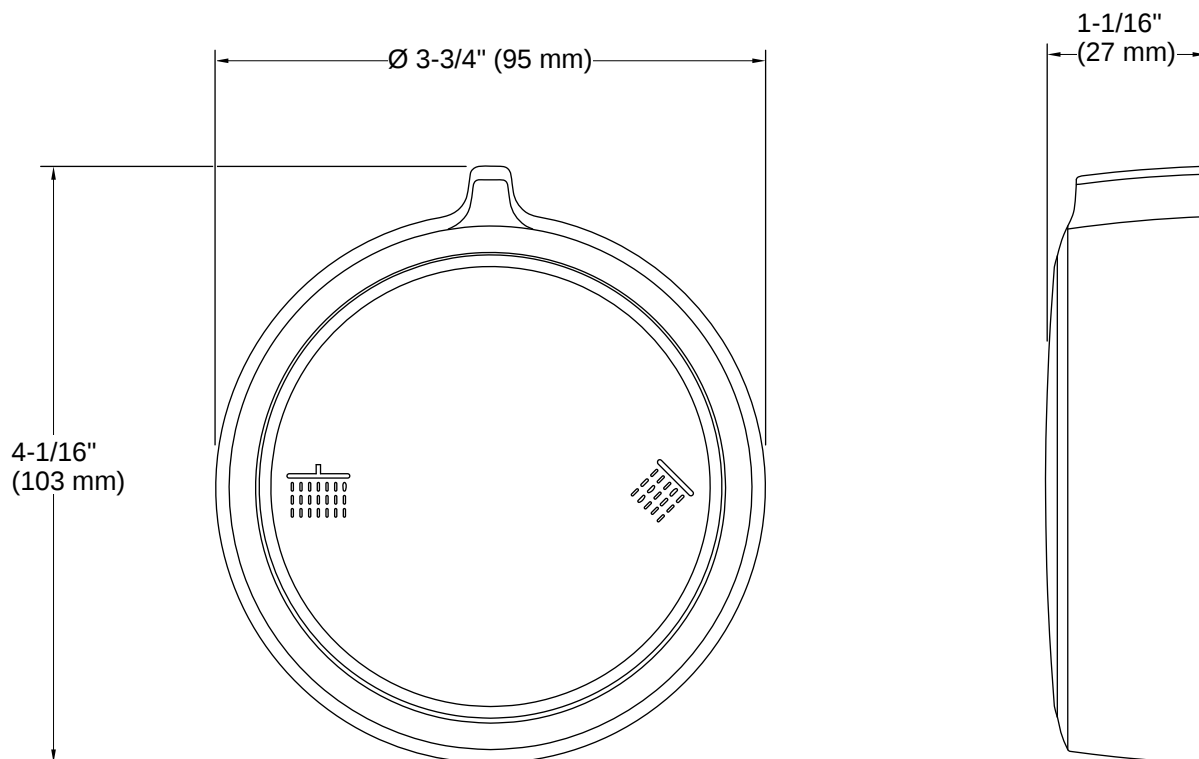
## Warranty

*See website for detailed warranty information.*

KOHLER® Electronic Faucets, Valves, and Controls Five-Year Limited Warranty



1-800-4KOHLER (1-800-456-4537)  
Kohler Co. reserves the right to make revisions without notice to product specifications.  
For the most current specification sheet, go to [www.kohler.com](http://www.kohler.com) USA or [www.kohler.ca](http://www.kohler.ca) Canada.  
5-30-2026 23:2 - US-CA



## Installation

- Wall-mount
- Suitable for two-outlet shower applications
- After digital control is connected to valve and power source, follow on-screen prompts for easy setup; no Internet needed

## Installation Notes

*Install this product according to the installation instructions.*

ADA compliant when installed to the specific requirements of these regulations.

