



8 Degree™ 18" undermount single-bowl bar sink K-3671

Features

- 21" (533 mm) minimum base cabinet width
- Single bowl
- 9-3/4" depth provides generous workspace
- Includes installation hardware, wineglass rack, and bottom sink rack

Material

- Handcrafted from 16-gauge stainless steel
- Premium 16-gauge stainless steel

Installation

- Undermount

Recommended Products/Accessories

- K-8801 Sink drain and strainer with tailpiece
- K-8799 Sink drain and strainer basket
- K-23726 Drain treatment
- K-23729 Stainless steel cleaner

Optional Products/Accessories

- K-3140 Cutting Board
- K-11352 Disposal Flange with Stopper

Included Components

- 91915 Hardware Kit



ADA

Codes/Standards

ASME A112.19.3/CSA B45.4
ADA
ICC/ANSI A117.1

KOHLER® Stainless Steel Sinks Lifetime Limited Warranty

See website for detailed warranty information.

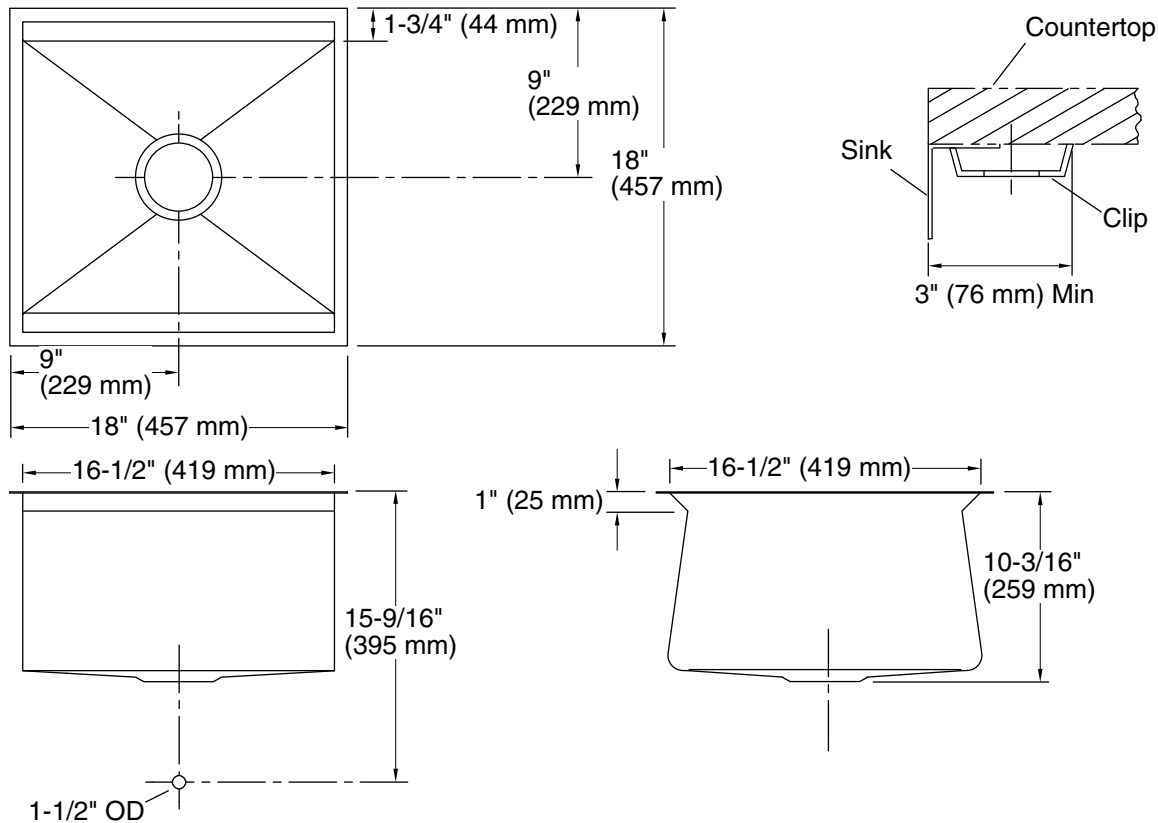
1-800-4KOHLER (1-800-456-4537)

Kohler Co. reserves the right to make revisions without notice to product specifications.

For the most current Specification Sheet, go to www.kohler.com USA or www.kohler.ca Canada

2-14-2025 16:18 - US/CA

THE BOLD LOOK
OF **KOHLER**®



Technical Information

All product dimensions are nominal.

Basin configuration: Single Bowl
Min. base cabinet width: 21" (533 mm)

Bowl area (Only): Length: 16-1/2" (419 mm)
Width: 16-1/2" (419 mm)
Bowl depth: 9-3/4" (248 mm)

Drain hole: 3-5/8" (92 mm)

Template: 1093326-7, required, included

Notes

Install this product according to the installation instructions.

Allow a minimum of 3" (76 mm) clearance around the sink rim for clip attachment.

ADA compliant when installed to the specific requirements of these regulations.

ADA permits a parallel approach to wet bars.