



**Brinx®**

18-3/4" top-mount single-bowl bar sink  
**K-3674**

### Features

- 21" (533 mm) minimum base cabinet width
- Single bowl
- 6" (152 mm) depth
- Small size fits compact spaces

### Material

- Handcrafted from 14-gauge stainless steel
- Premium 14-gauge stainless steel

### Installation

- Top-mount

### Recommended Products/Accessories

- K-8801 Sink drain and strainer with tailpiece
- K-8799 Sink drain and strainer basket
- K-23726 Drain treatment
- K-23729 Stainless steel cleaner

### Optional Products/Accessories

- K-11352 Disposal Flange with Stopper



**ADA**

### Codes/Standards

- ASME A112.19.3/CSA B45.4
- ADA
- ICC/ANSI A117.1
- IAPMO Certification

### **KOHLER® Stainless Steel Sinks Lifetime Limited Warranty**

See website for detailed warranty information.

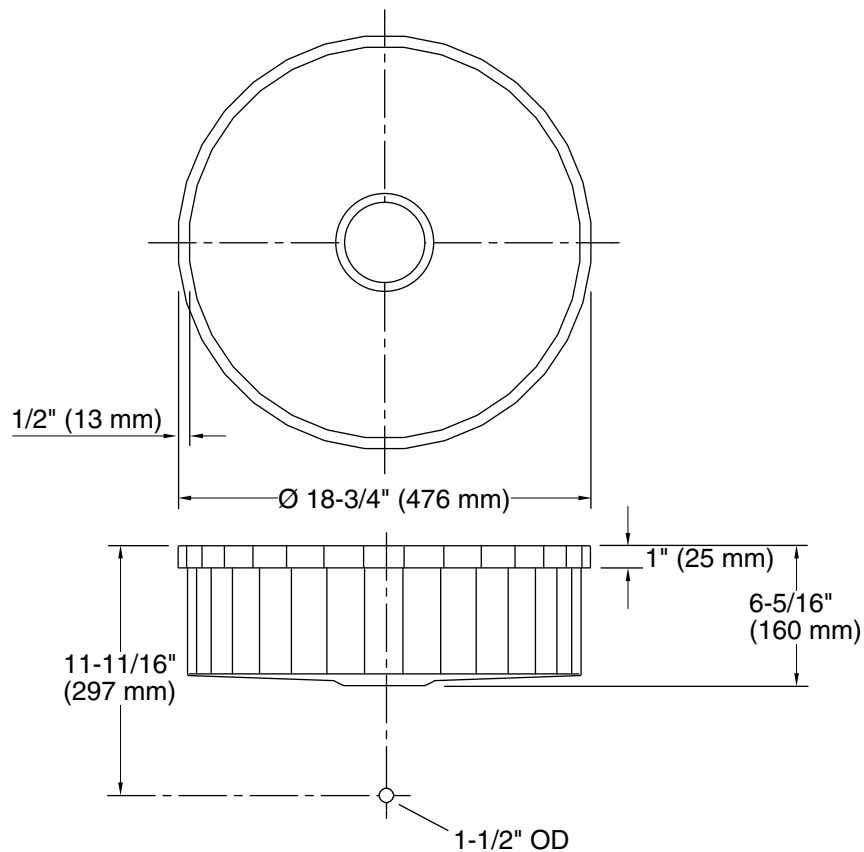
1-800-4KOHLER (1-800-456-4537)

Kohler Co. reserves the right to make revisions without notice to product specifications.

For the most current Specification Sheet, go to [www.kohler.com](http://www.kohler.com) USA or [www.kohler.ca](http://www.kohler.ca) Canada

10-18-2024 00:31 - US/CA

THE BOLD LOOK  
OF **KOHLER®**



#### Technical Information

All product dimensions are nominal.

Basin configuration: Single Bowl  
 Min. base cabinet width: 21" (533 mm)

Bowl area (Only): Bowl depth: 6" (152 mm)

Drain hole: 3-5/8" (92 mm)

Template: 1220554-7, required, included

#### Notes

Install this product according to the installation instructions.

ADA compliant when installed to the specific requirements of these regulations.

ADA permits a parallel approach to wet bars.