

Features

- 4-5/8" (117 mm) nondiverter bath spout with copper slip-fit connection
- Coordinates with Devonshire faucets, accessories, and showering components to complete your bathroom

Material

- KOHLER® finishes resist corrosion and tarnishing
- Premium metal construction for durability and reliability

Installation

- Wall-mount
- Slip-fit connection

Recommended Products/Accessories

K-23723 Faucet cleaner



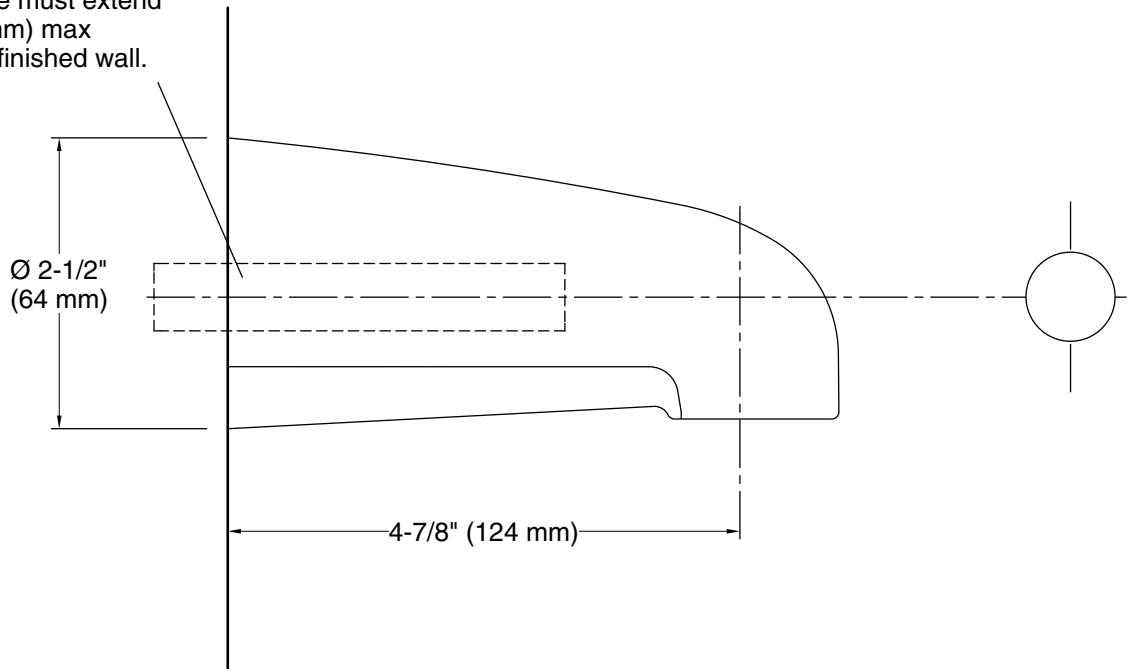
Codes/Standards

None Applicable

KOHLER® Faucet Lifetime Limited Warranty

See website for detailed warranty information.

For slip-fit spout:
5/8" OD tube must extend
3-1/4" (83 mm) max
beyond the finished wall.



Technical Information

All product dimensions are nominal.

Drain included: No

Spout:

Spout reach: 4-7/8" (124 mm)

Handshower:

Rated maximum flow: 0 gal/min (0 l/min)

Notes

Install this product according to the installation guide.