



Synthos™ | K-37908-WAL

33-3/4" undermount single-bowl workstation kitchen sink

Features

- 33-3/4" sink designed for a 36" minimum cabinet space
- Single bowl
- 10-7/16" (265 mm) bowl depth
- The three-tiered ledge design ensures optimal positioning of accessories, creating a seamless workflow
- Box includes: Sink, drain cover, walnut cutting board, colander, prep bowl set, garnish bowl set, and dishwasher-safe sink rack
- The sink bowl features a generous slope, directing water and debris towards the drain for easy cleaning
- Offset drain increases workspace in the sink, includes drain cover that lifts for easy cleaning and a discreet barrier-free water flow
- SilentShield® sound-absorption technology offers quieter performance



Available Colors/Finishes

Color tiles intended for reference only.

- WAL- Solid Wood Dark Walnut
NA



Codes/Standards

ASME A112.19.3/CSA B45.4

Technical Information

All product dimensions are nominal.

| | |
|-----------------------------|-------------------|
| Drain Hole Diameter: | 3-3/4" (95 mm) |
| Minimum Base Cabinet Width: | 36" (914 mm) |
| Basin Configuration: | Single Bowl |
| Basin Length: | 32" (813 mm) |
| Basin Width: | 15-9/16" (395 mm) |
| Basin Depth: | 12-1/4" (311 mm) |

Material

- Premium 16-gauge stainless steel
-

Included Combo Skus

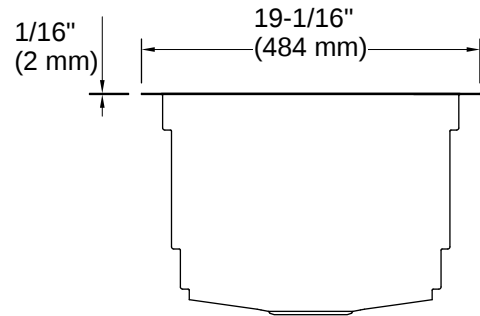
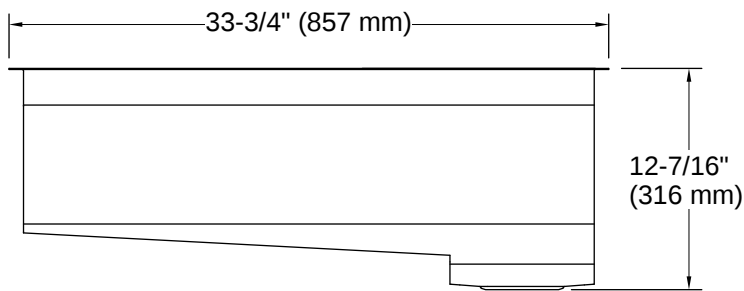
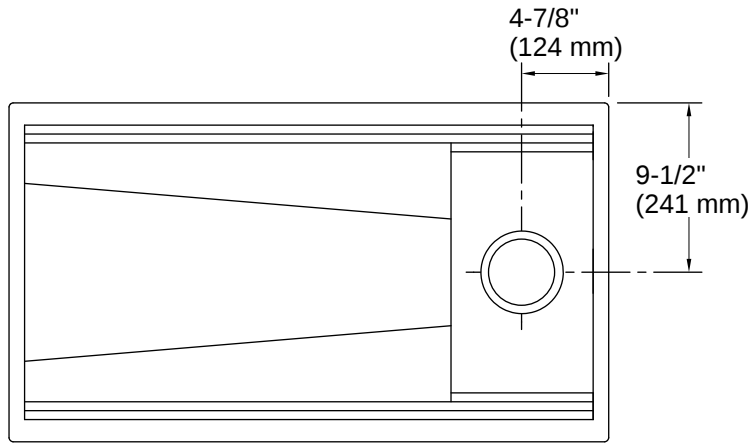
- K-37908 33-3/4" undermount single-bowl kitchen sink
 - K-34542-WAL Four-piece workstation sink accessory set
-

Warranty

See website for detailed warranty information.

KOHLER® Stainless Steel Sinks Lifetime Limited Warranty





Installation

- Undermount

Installation Notes

Install this product according to the installation instructions.

NOTICE: Countertop manufacturer or cutter must use the cut-out template provided with the product, or a current one provided by Kohler Co. (call 1- 800-4KOHLER). Kohler Co. is not responsible for cutout errors when the incorrect cut-out template is used.

For proper fit of workstation accessories, the design requires a 1/2" (13mm) reveal on the front and back flanges, and the cutout template **MUST** be followed.

