



Synthos™ | K-37911-WAL

27-3/4" undermount single-bowl workstation kitchen sink

Features

- 27-3/4" sink designed for a 30" minimum cabinet space
- Single bowl
- 10-1/8" (257 mm) bowl depth
- The three-tiered ledge design ensures optimal positioning of accessories, creating a seamless workflow
- Box includes: Sink, drain cover, walnut cutting board, colander, prep bowl set, garnish bowl set, and dishwasher-safe sink rack
- The sink bowl features a generous slope, directing water and debris towards the drain for easy cleaning
- Offset drain increases workspace in the sink, includes drain cover that lifts for easy cleaning and a discreet barrier-free water flow
- SilentShield® sound-absorption technology offers quieter performance



Available Colors/Finishes

Color tiles intended for reference only.

■ WAL- Solid Wood Dark Walnut
NA



1-800-4KOHLER (1-800-456-4537)
Kohler Co. reserves the right to make revisions without notice to product specifications.
For the most current specification sheet, go to www.kohler.com USA or www.kohler.ca Canada.
6-29-2026 21:13 - US-CA

THE BOLD LOOK
OF **KOHLER**®

Codes/Standards

ASME A112.19.3/CSA B45.4

Technical Information

All product dimensions are nominal.

| | |
|-----------------------------|--------------------|
| Drain Hole Diameter: | 3-3/4" (95 mm) |
| Minimum Base Cabinet Width: | 30" (762 mm) |
| Basin Configuration: | Single Bowl |
| Basin Length: | 26" (660 mm) |
| Basin Width: | 16-9/16" (420 mm) |
| Basin Depth: | 11-13/16" (300 mm) |

Material

- Premium 16-gauge stainless steel
-

Included Combo Skus

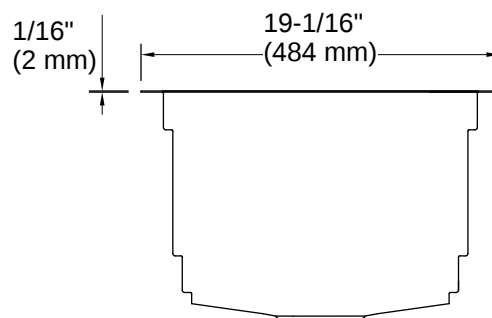
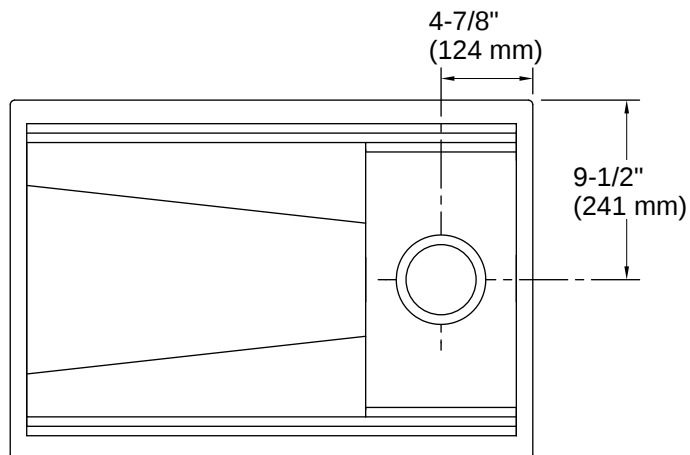
- K-37911 27-3/4" undermount single-bowl kitchen sink
 - K-34542-WAL Four-piece workstation sink accessory set
-

Warranty

See website for detailed warranty information.

KOHLER® Stainless Steel Sinks Lifetime Limited Warranty





Installation

- Undermount

Installation Notes

Install this product according to the installation instructions.

NOTICE: Countertop manufacturer or cutter must use the cut-out template provided with the product, or a current one provided by Kohler Co. (call 1- 800-4KOHLER). Kohler Co. is not responsible for cutout errors when the incorrect cut-out template is used.

