



4" two-hole escutcheon plate for Insight™ and Kinesis®  
lavatory faucets and soap dispensers  
**K-38169**

**Features**

- For use with Insight™ and Kinesis® touchless deck-mount faucets and soap dispensers
- Two holes on escutcheon plate enable side-by-side installation of touchless faucet and soap dispenser
- Square design option available

**Material**

- Premium brass construction for durability and reliability
- KOHLER finishes resist corrosion and tarnishing

**Installation**

- For 4" (102 mm) centers



**Codes/Standards**





None Applicable

**KOHLER® One-Year Limited  
Warranty**

See website for detailed warranty information.

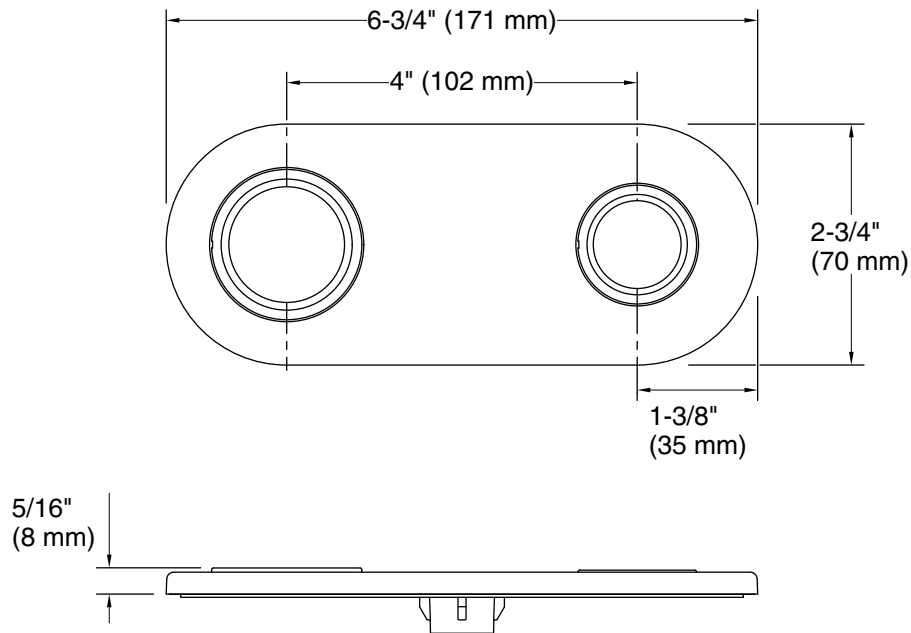
**Available Colors/Finishes**

*Color tiles intended for reference only.*

Color	Code	Description
	CP	Polished Chrome
	BN	Vibrant® Brushed Nickel
	BL	Matte Black
	2MB	Vibrant® Brushed Moderne Brass



4" two-hole escutcheon plate for Insight™ and Kinesis®  
lavatory faucets and soap dispensers  
**K-38169**



**Technical Information**

All product dimensions are nominal.

Material: Brass

**Notes**

Install this product according to the installation instructions.