

Features

- 36" minimum base cabinet width
- Double-equal bowls
- 9" (229 mm) depth provides generous workspace
- Rear drain placement increases cabinet storage space underneath sink
- Includes installation hardware

Material

- Handcrafted from 18-gauge stainless steel
- Premium 18-gauge stainless steel

Installation

- Undermount

Recommended Products/Accessories

- K-8801 Sink drain and strainer with tailpiece
- K-8799 Sink drain and strainer basket
- K-23726 Drain treatment
- K-23729 Stainless steel cleaner

Optional Products/Accessories

- K-6429 Utility Rack
- K-6432 Dishcloth bar
- K-6434 Saddle Utility Rack
- K-6667 Wood Cutting Board
- K-6641 Stainless steel sink rack
- K-11352 Disposal Flange with Stopper

Included Components

- 91915 Hardware Kit

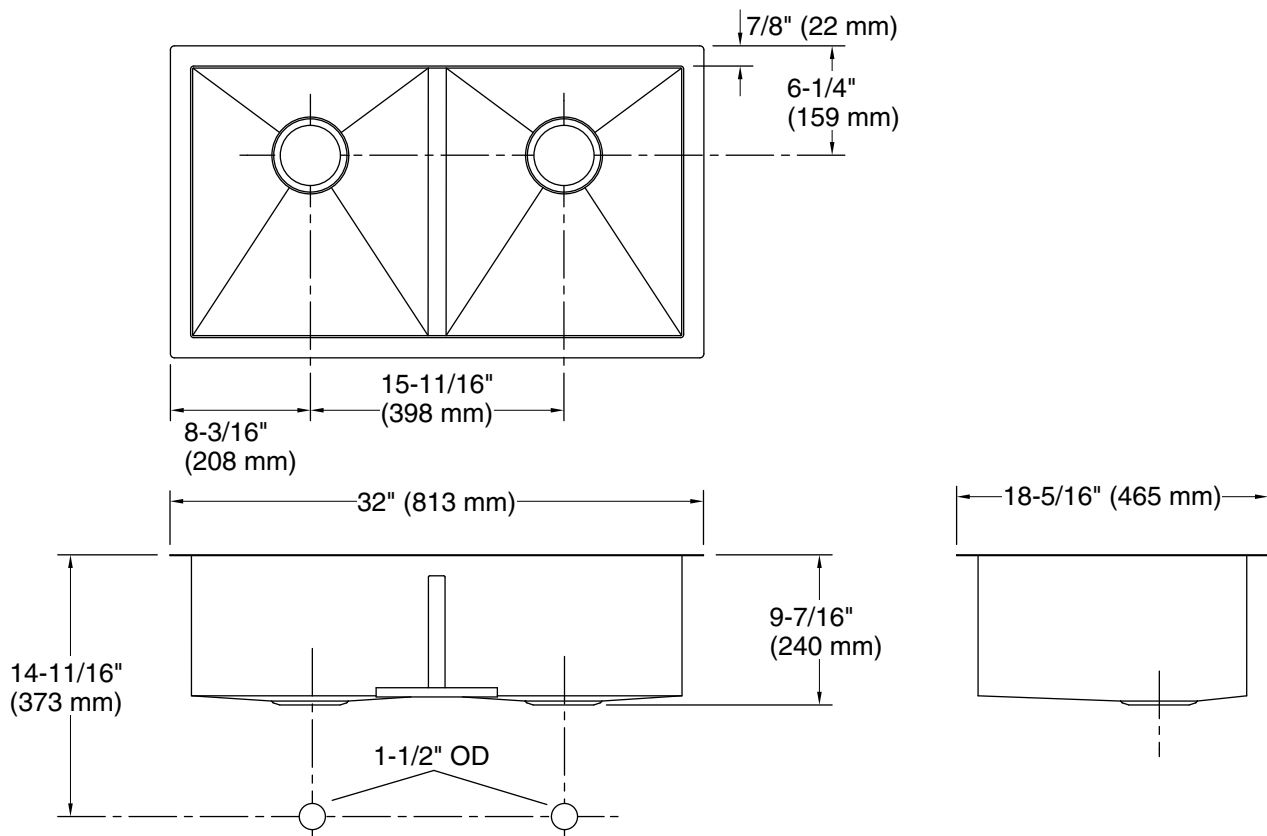


Codes/Standards

- ASME A112.19.3/CSA B45.4
- IAPMO Certification

KOHLER® Stainless Steel Sinks Lifetime Limited Warranty

See website for detailed warranty information.



Technical Information

All product dimensions are nominal.

Basin configuration: Equal Bowls

Min. base cabinet width: 36" (914 mm)

Bowl area (Left): Length: 14-9/16" (370 mm)
Width: 16-9/16" (420 mm)
Bowl depth: 9" (229 mm)
Water depth: 9" (229 mm)

Bowl area (Right): Length: 14-9/16" (370 mm)
Width: 16-9/16" (420 mm)
Bowl depth: 9" (229 mm)
Water depth: 9" (229 mm)

Drain hole: 3-7/8" (98 mm)

Template: 1207216-7, required, included

Notes

Install this product according to the installation instructions.

Allow 3/4" (19 mm) clearance beyond the back of the bowl for the wood cutting board (optional accessory).